

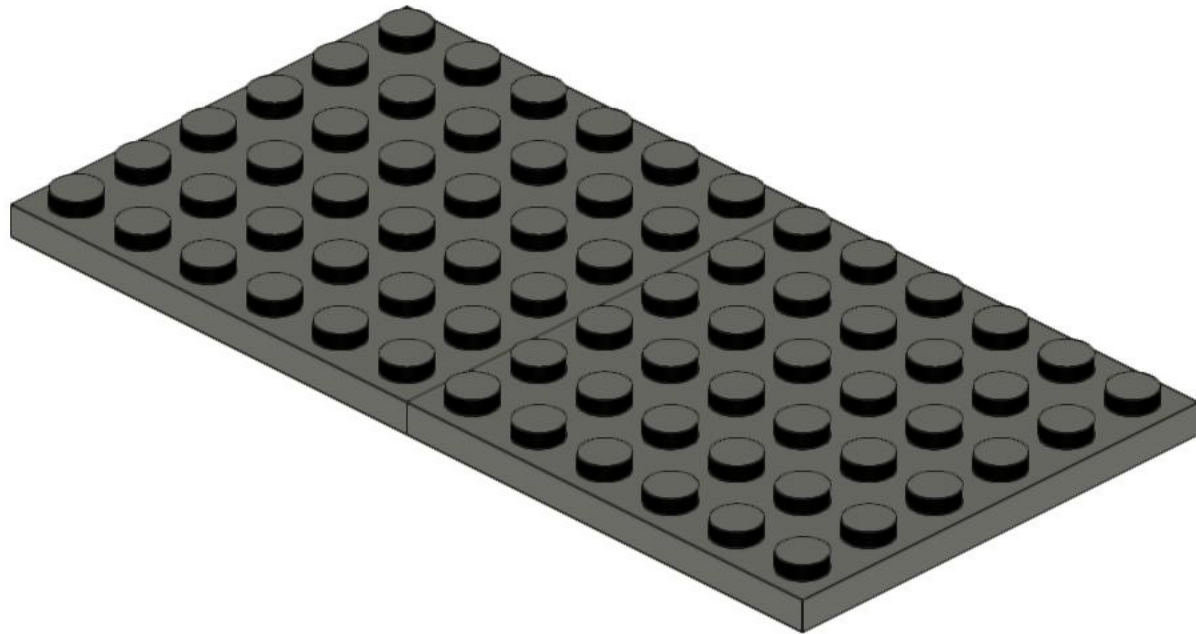
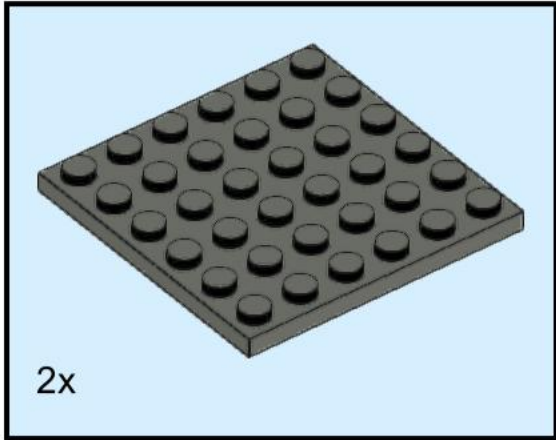
Gallipoli Diorama



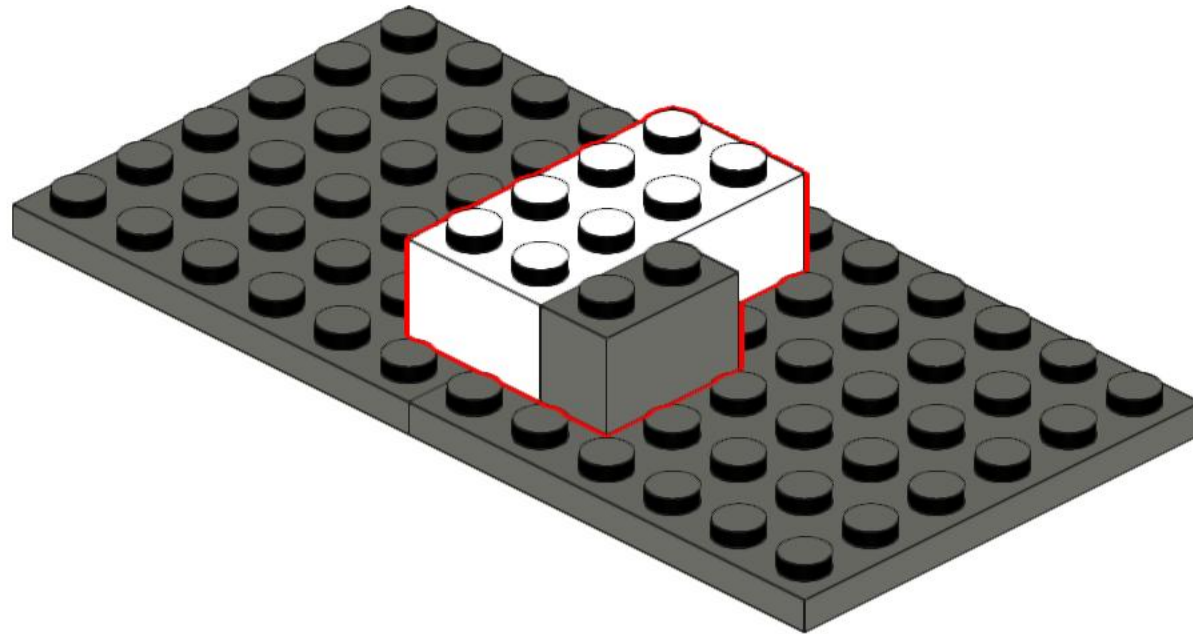
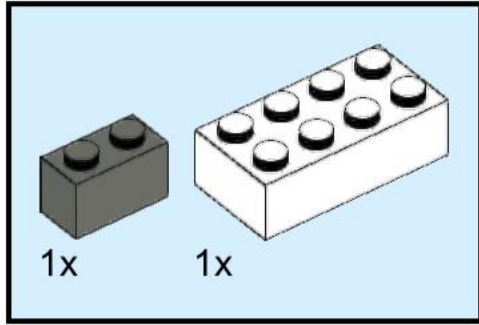
This Build does not include Minifigure Stickers or accessories. You will have to find another company that makes these products.

Using colour coding, this build has parts that doesn't need to be a necessary colour. So using White bricks size and shape is required but usually not visible, so feel free to use odd/any colours.

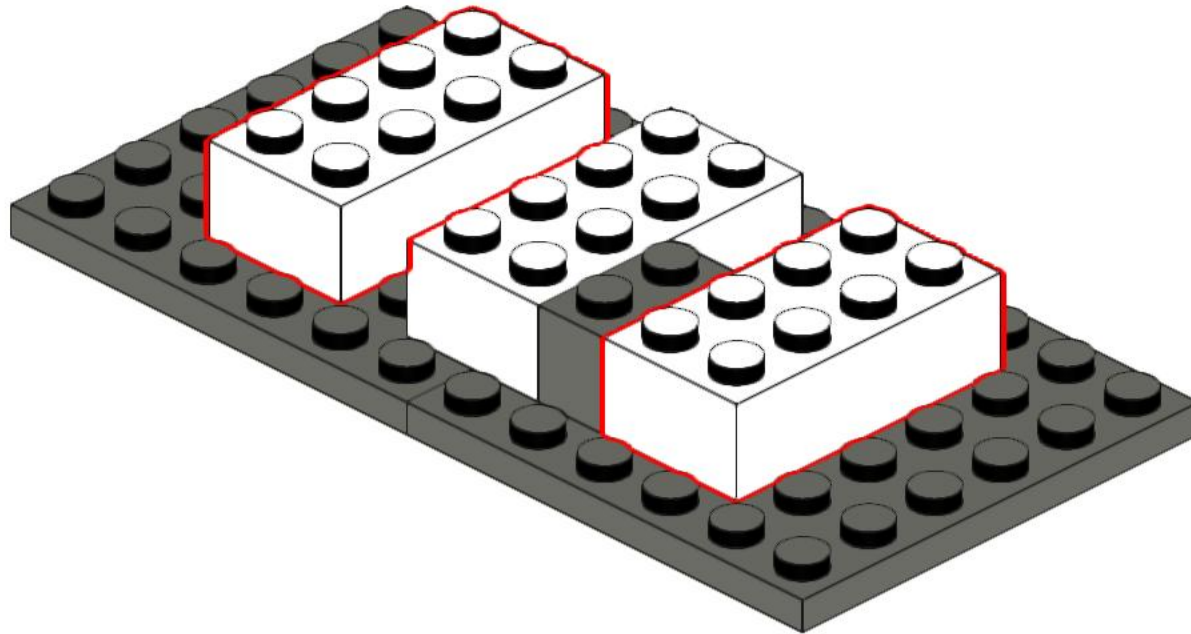
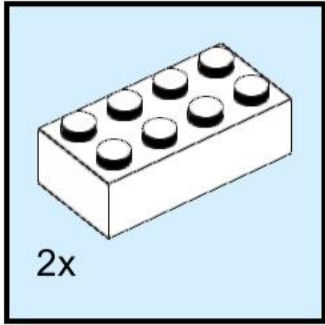
1



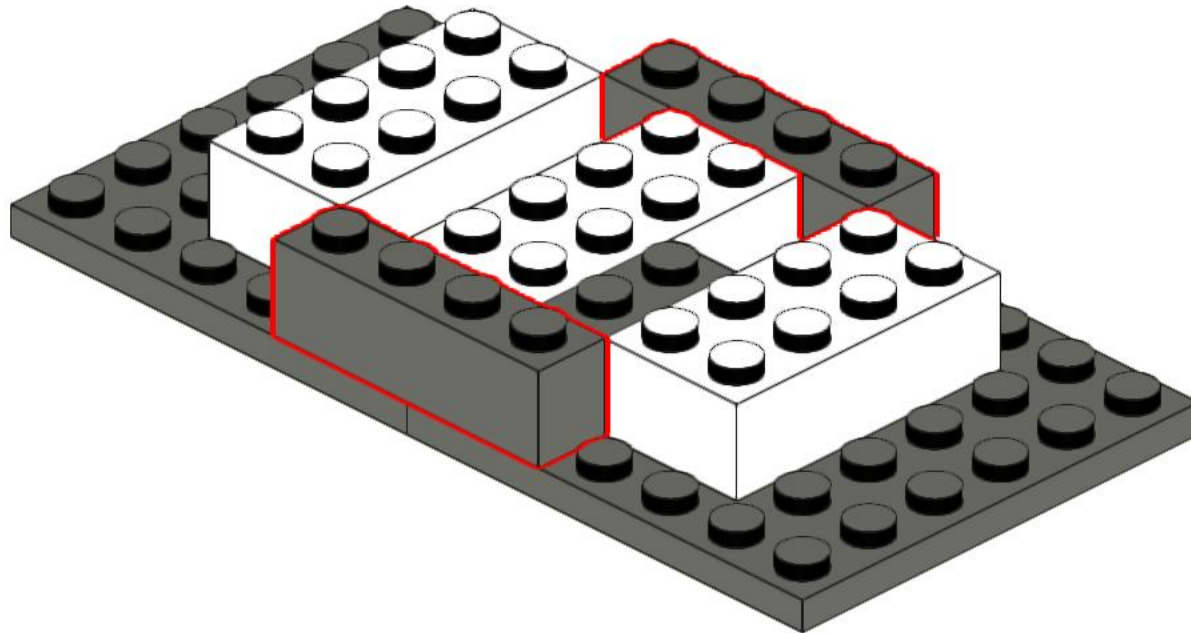
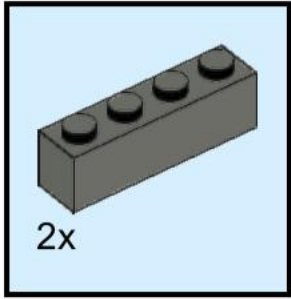
2



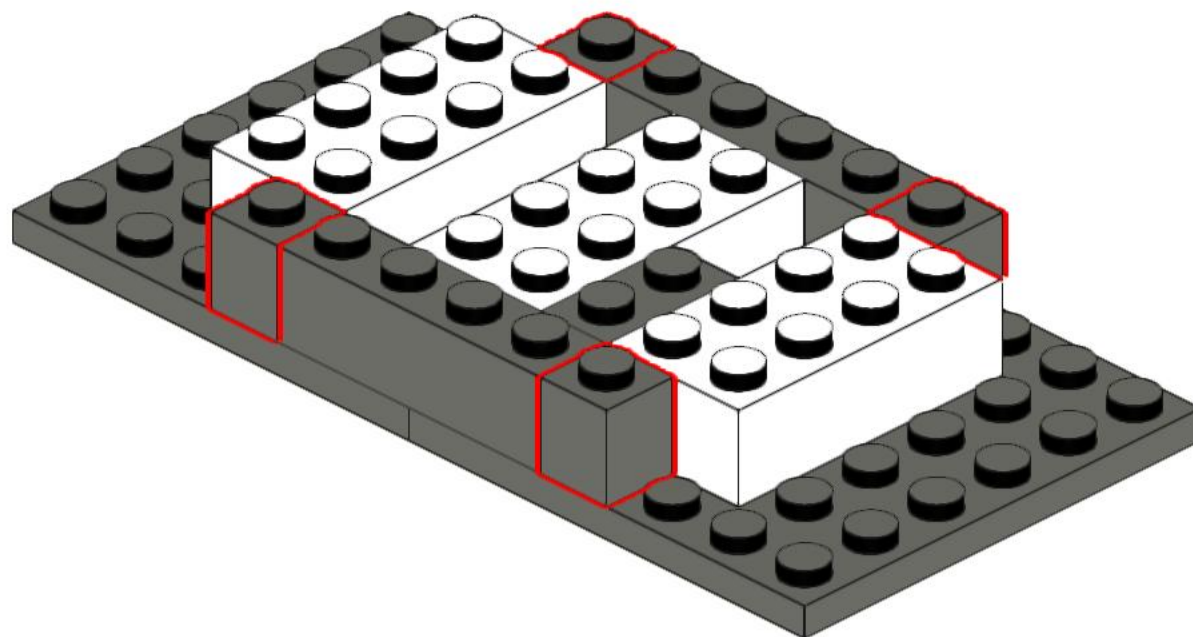
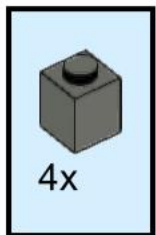
3



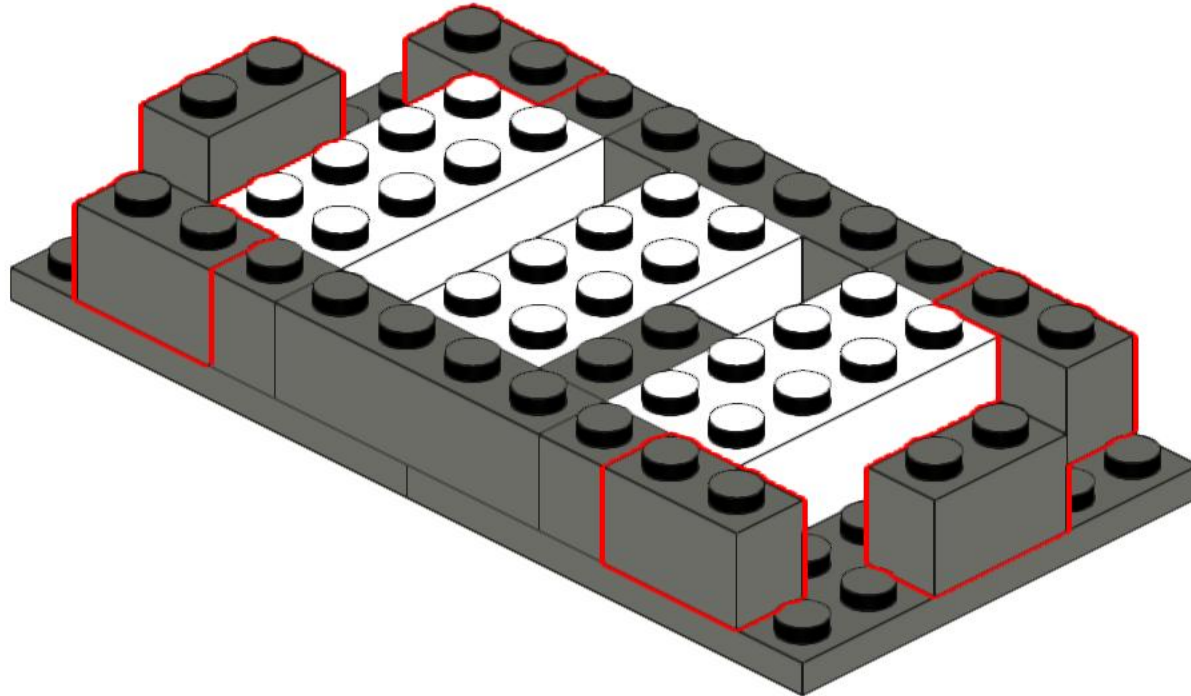
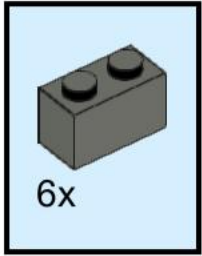
4



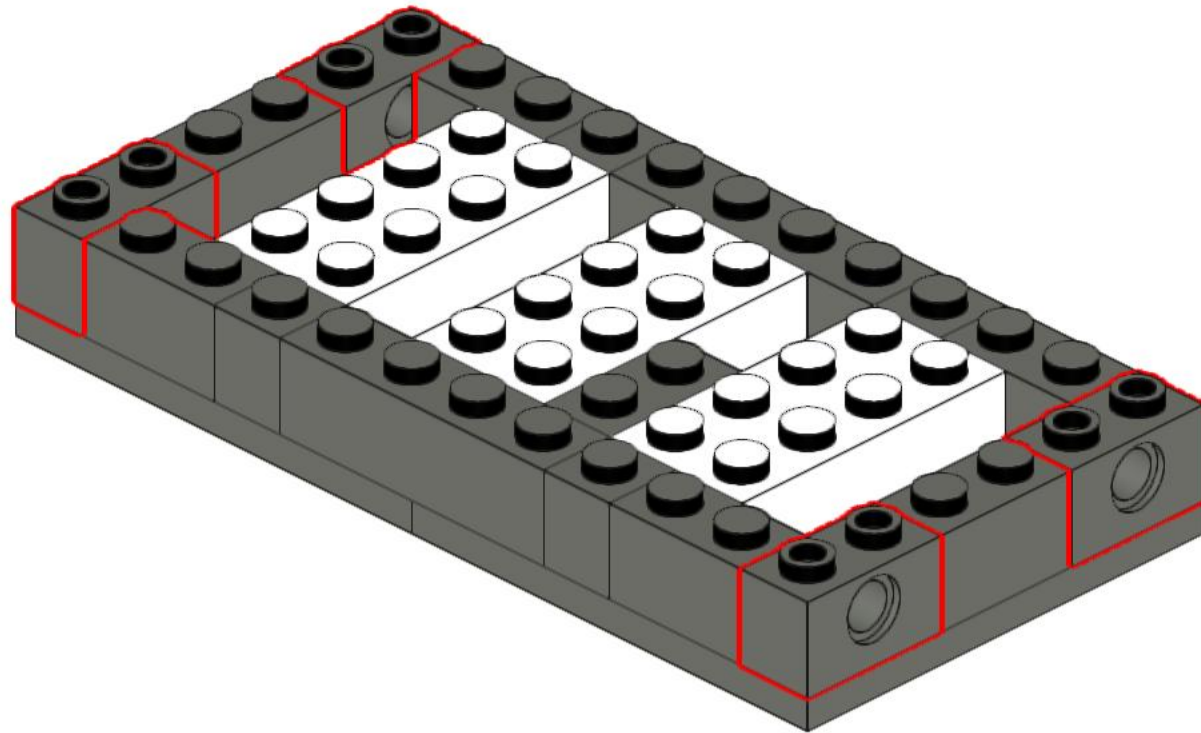
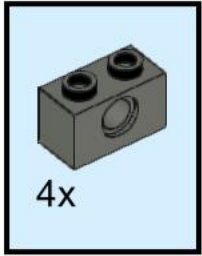
5



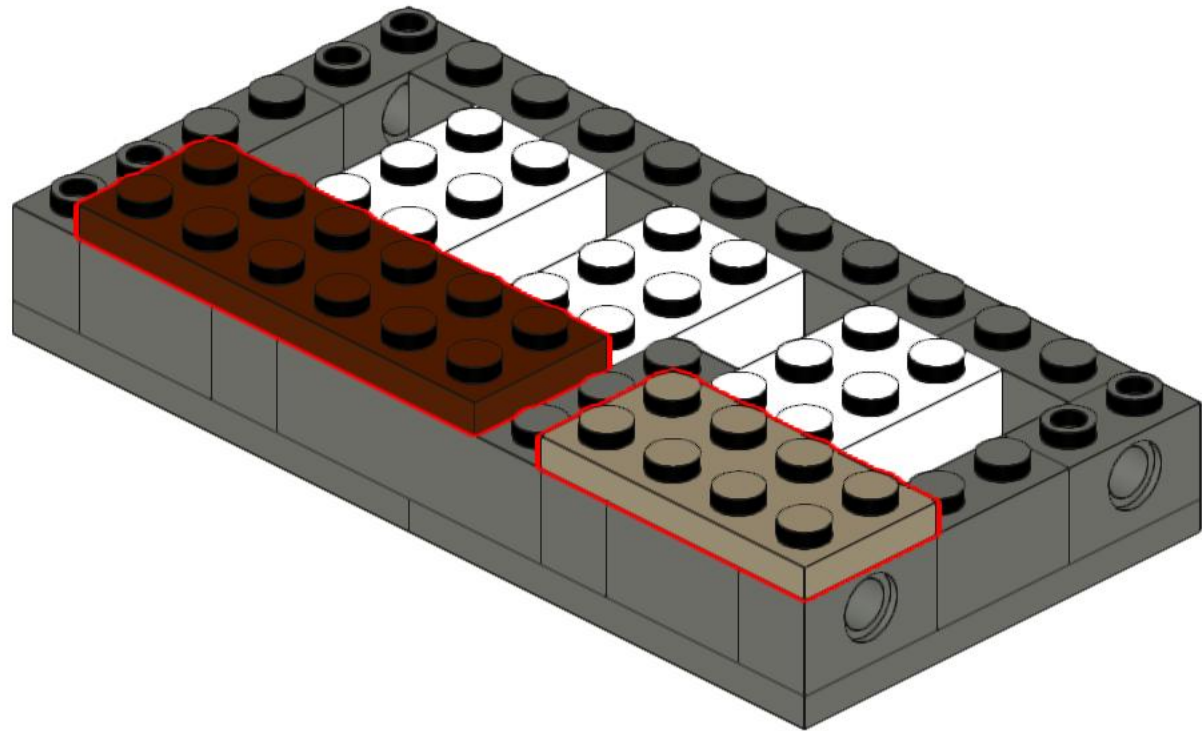
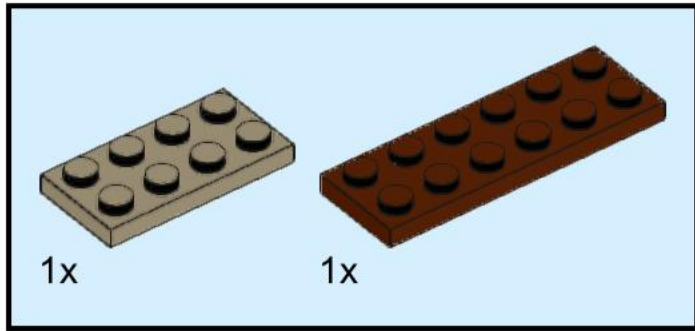
6



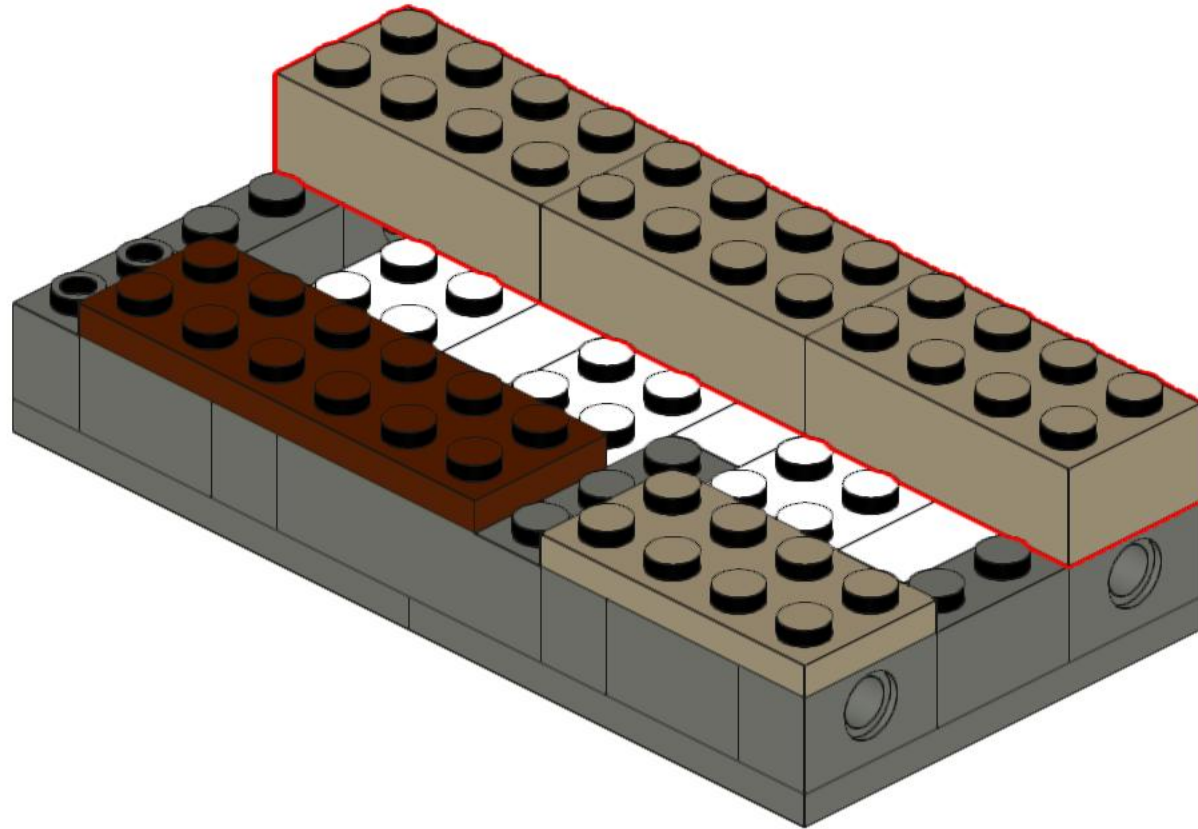
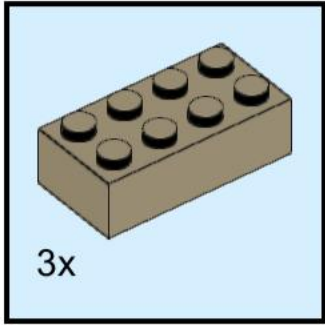
7



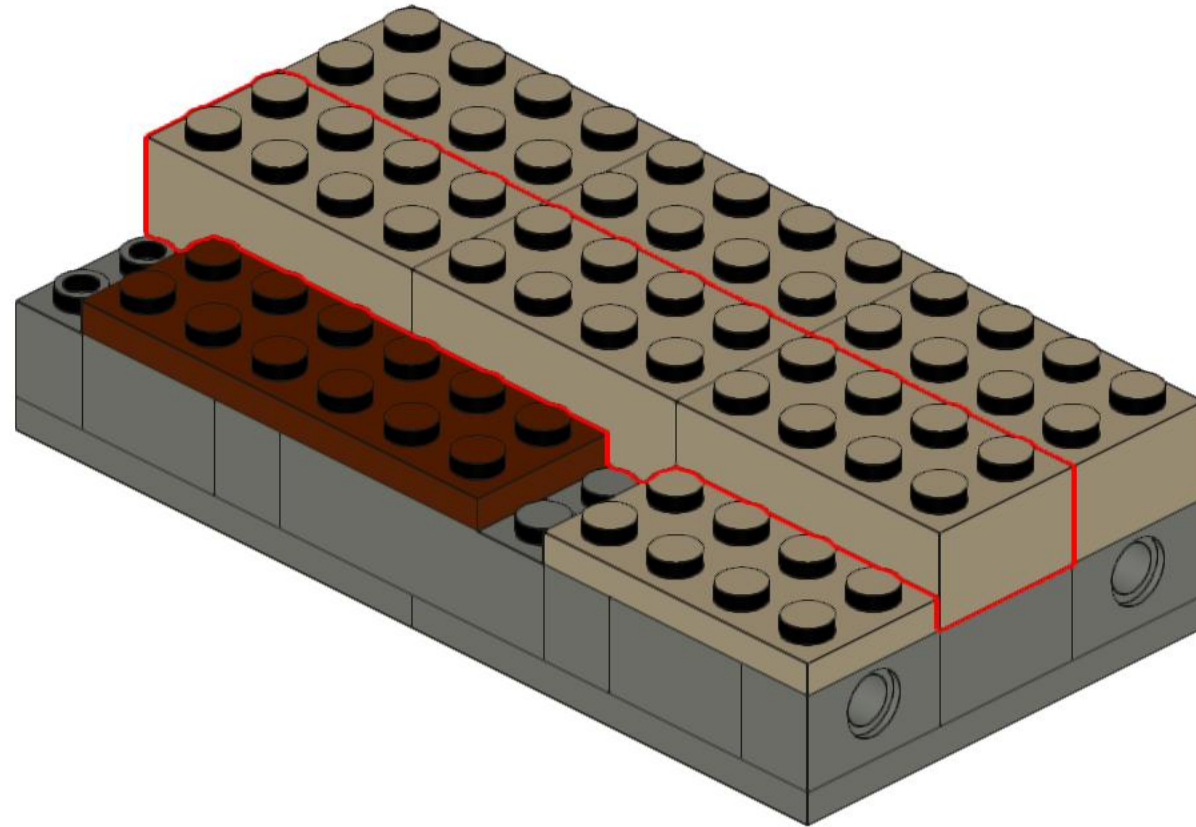
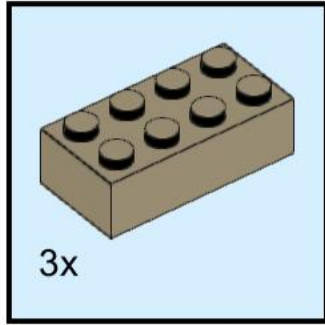
8



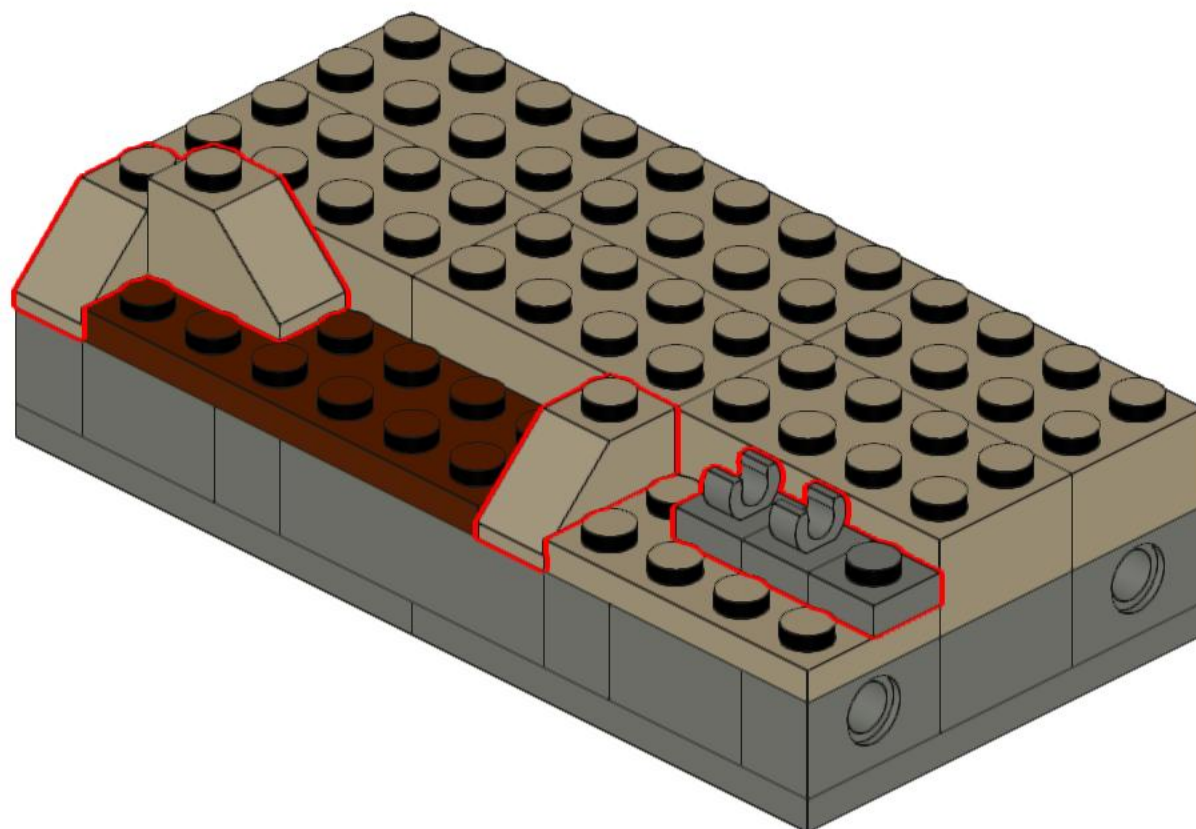
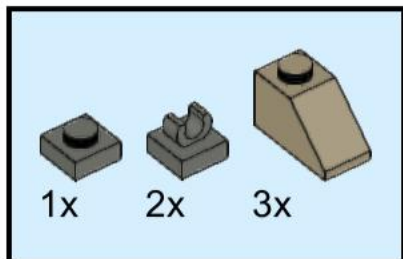
9



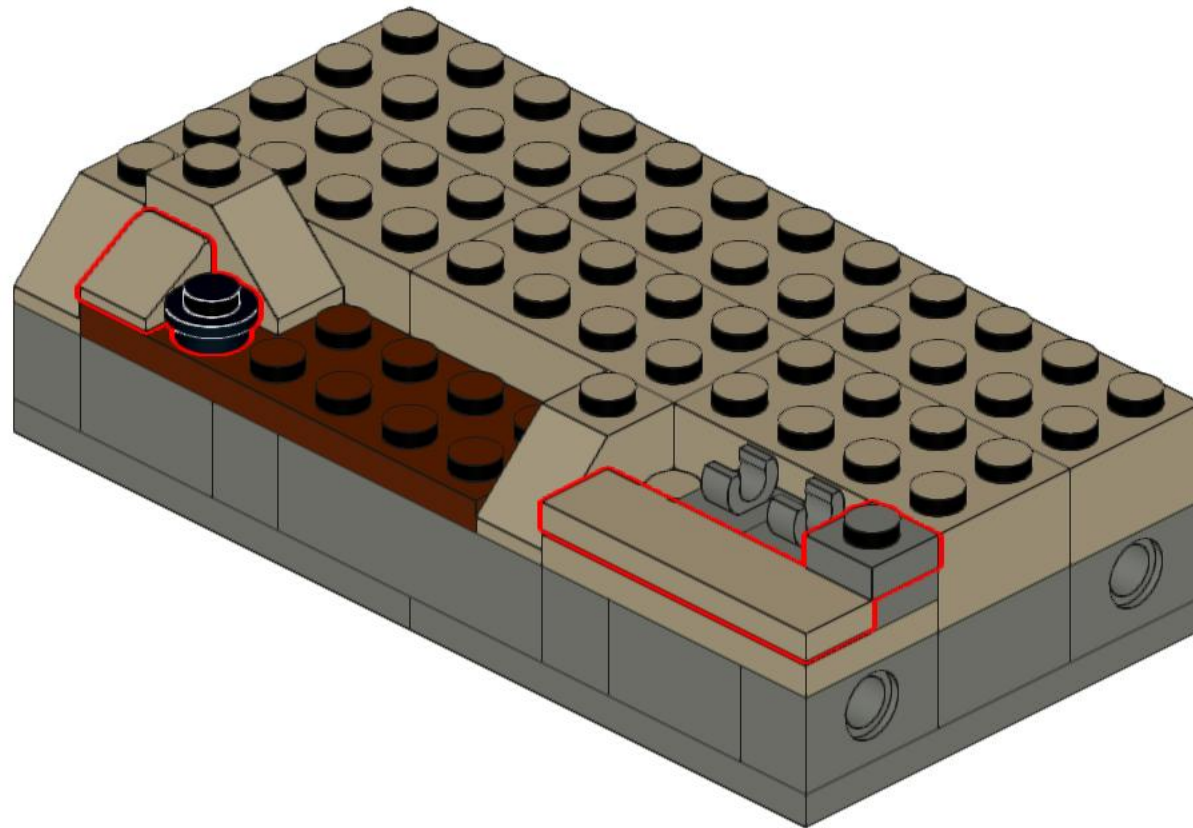
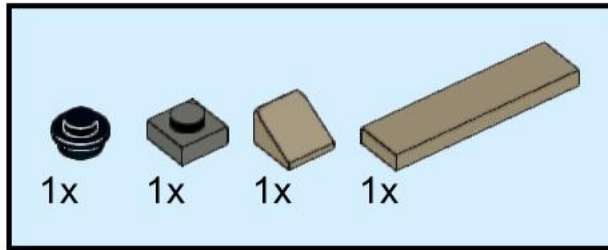
10



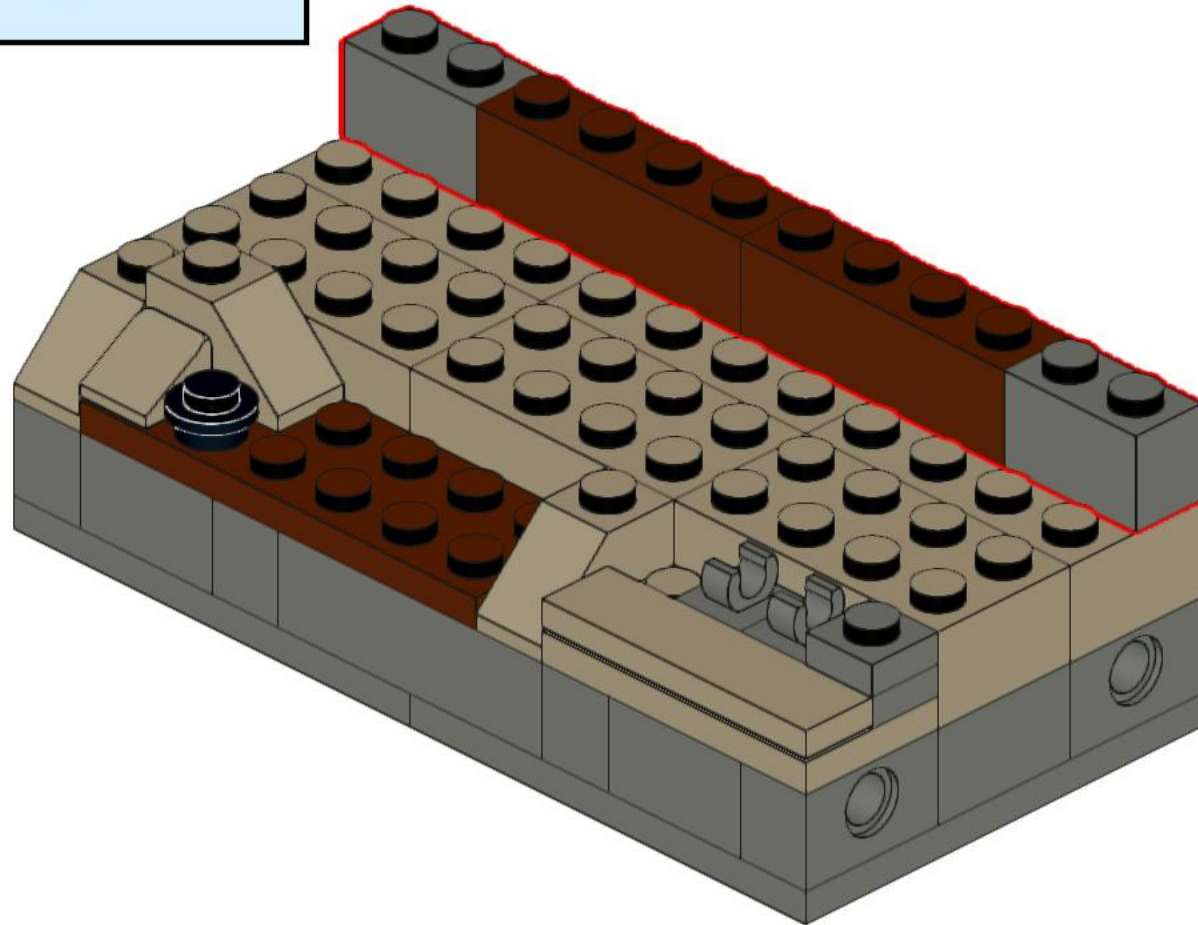
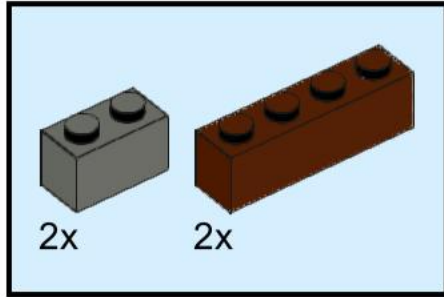
11



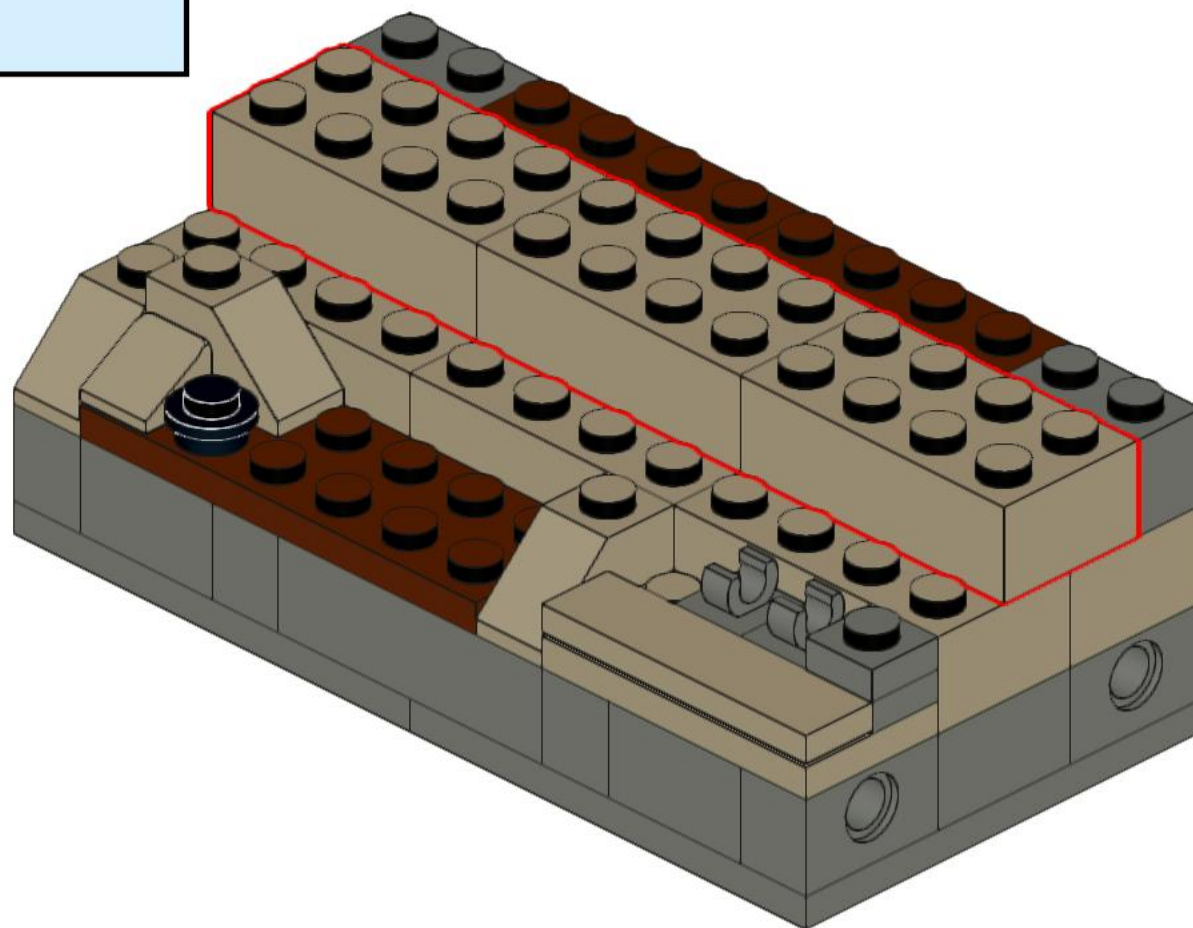
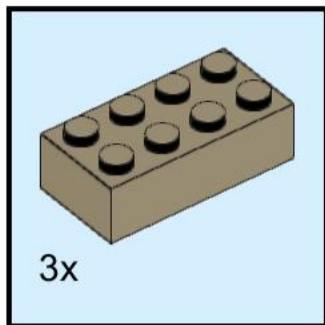
12



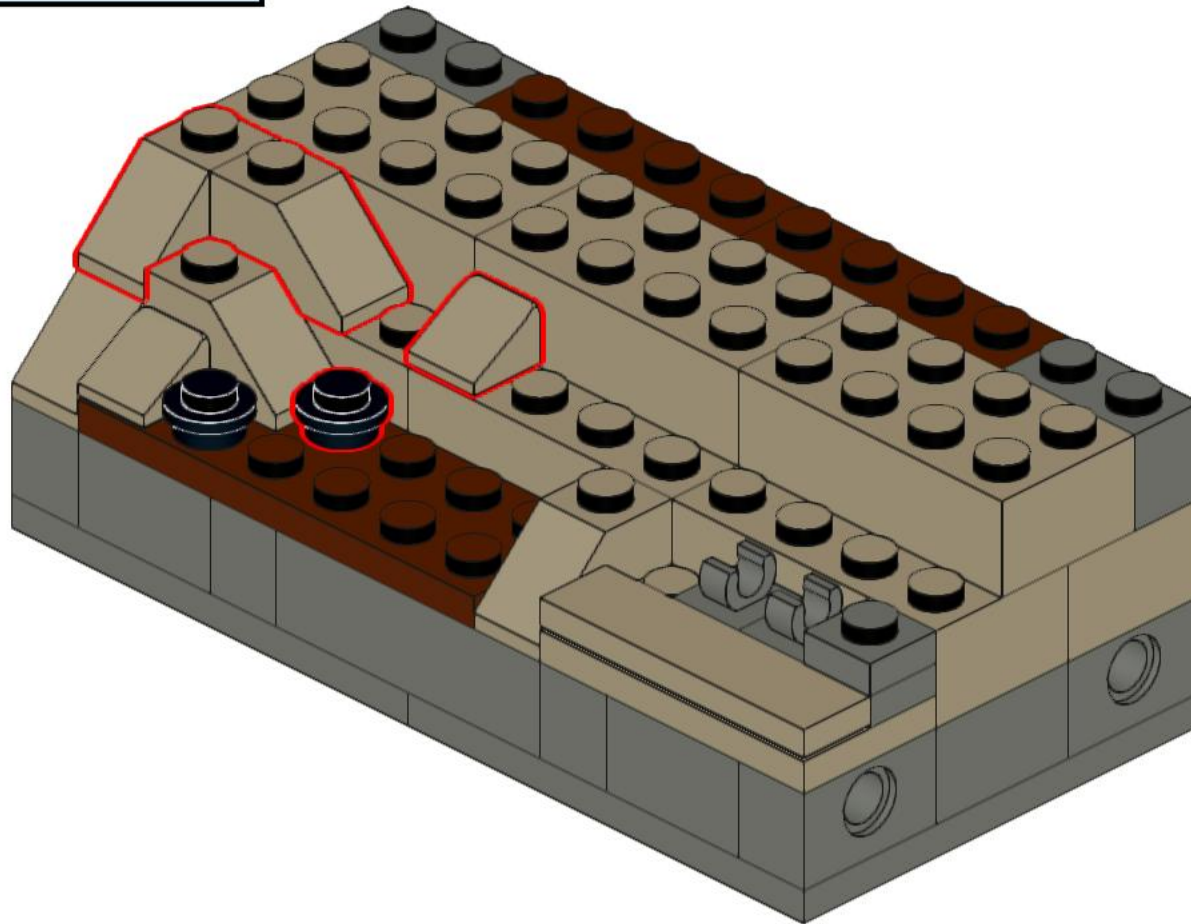
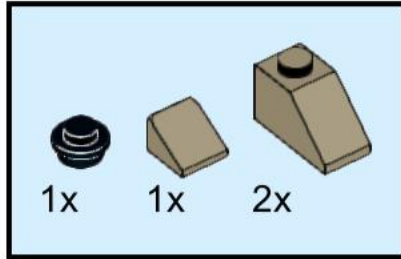
13



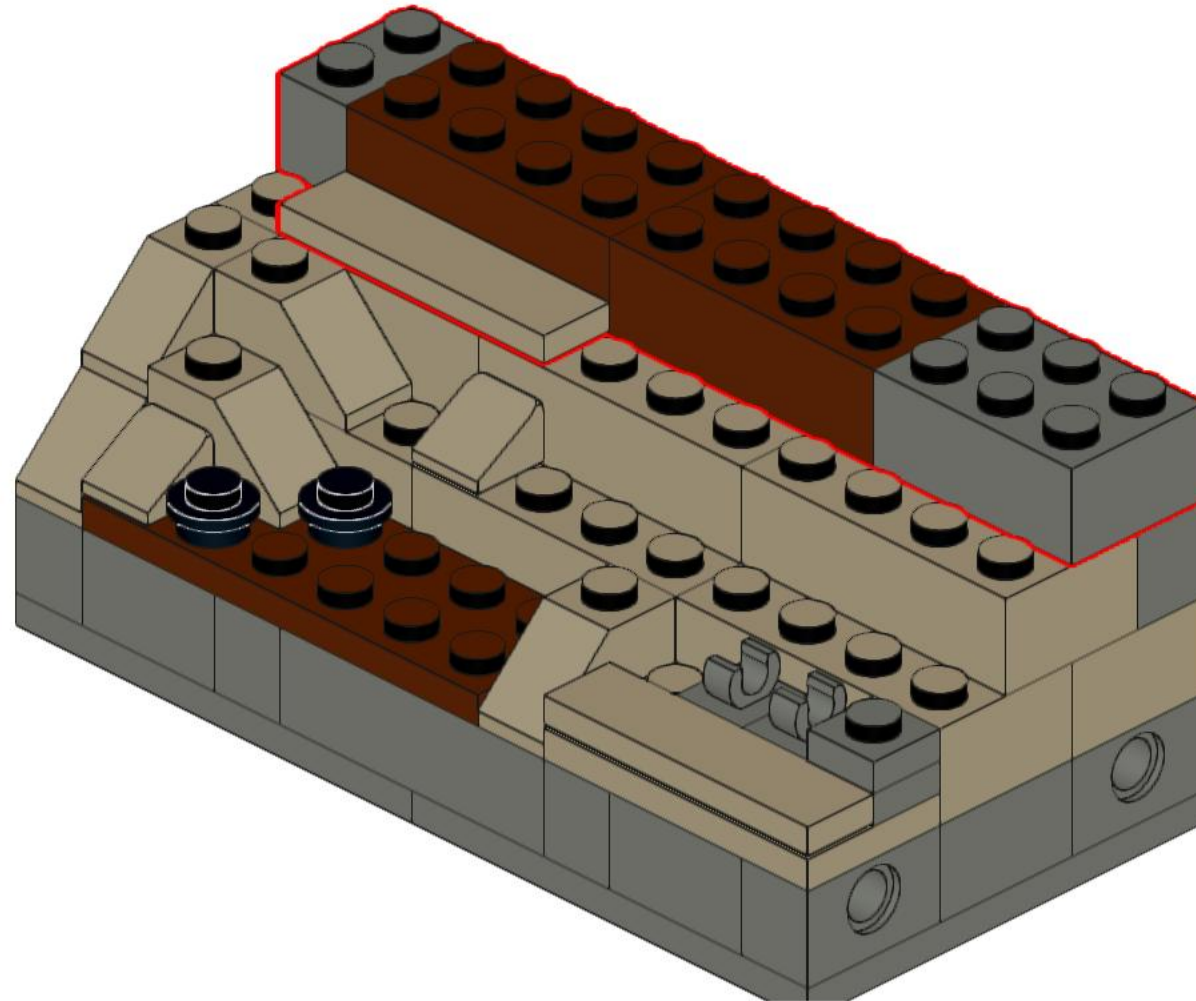
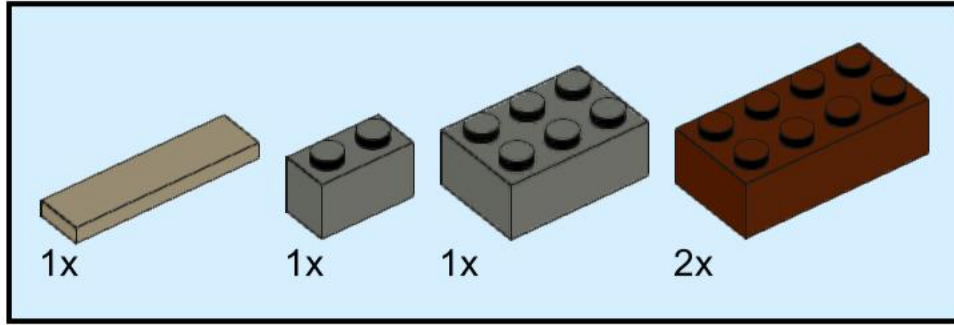
14



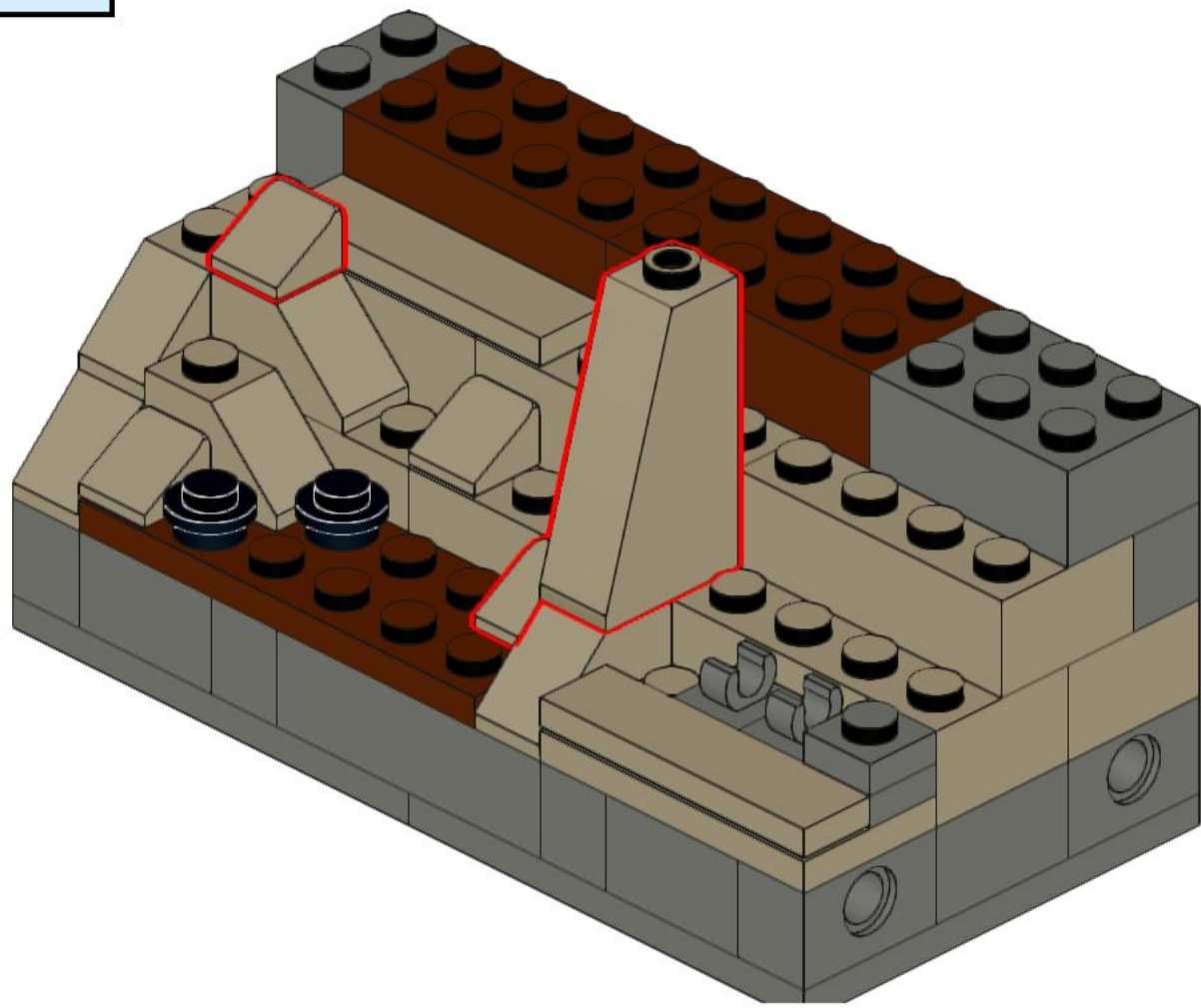
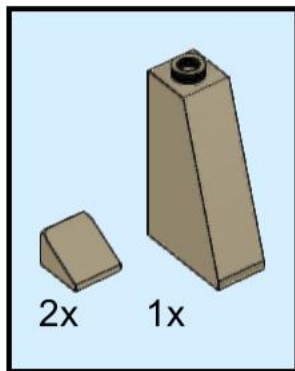
15



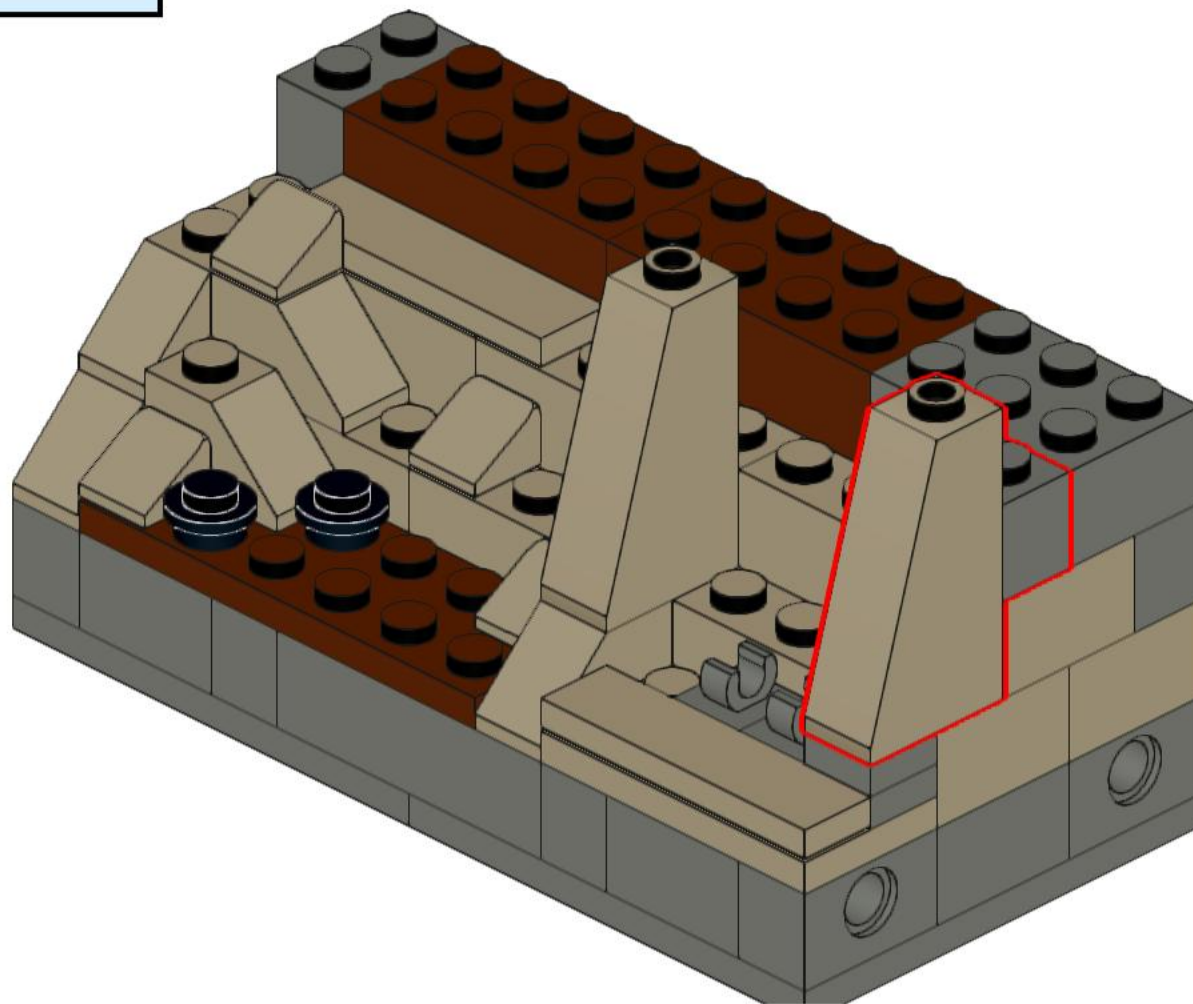
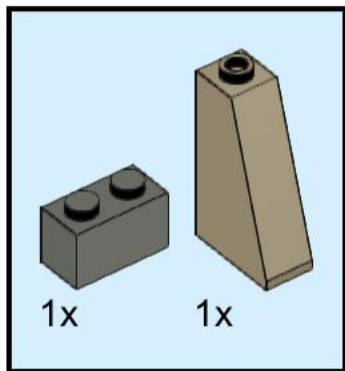
16



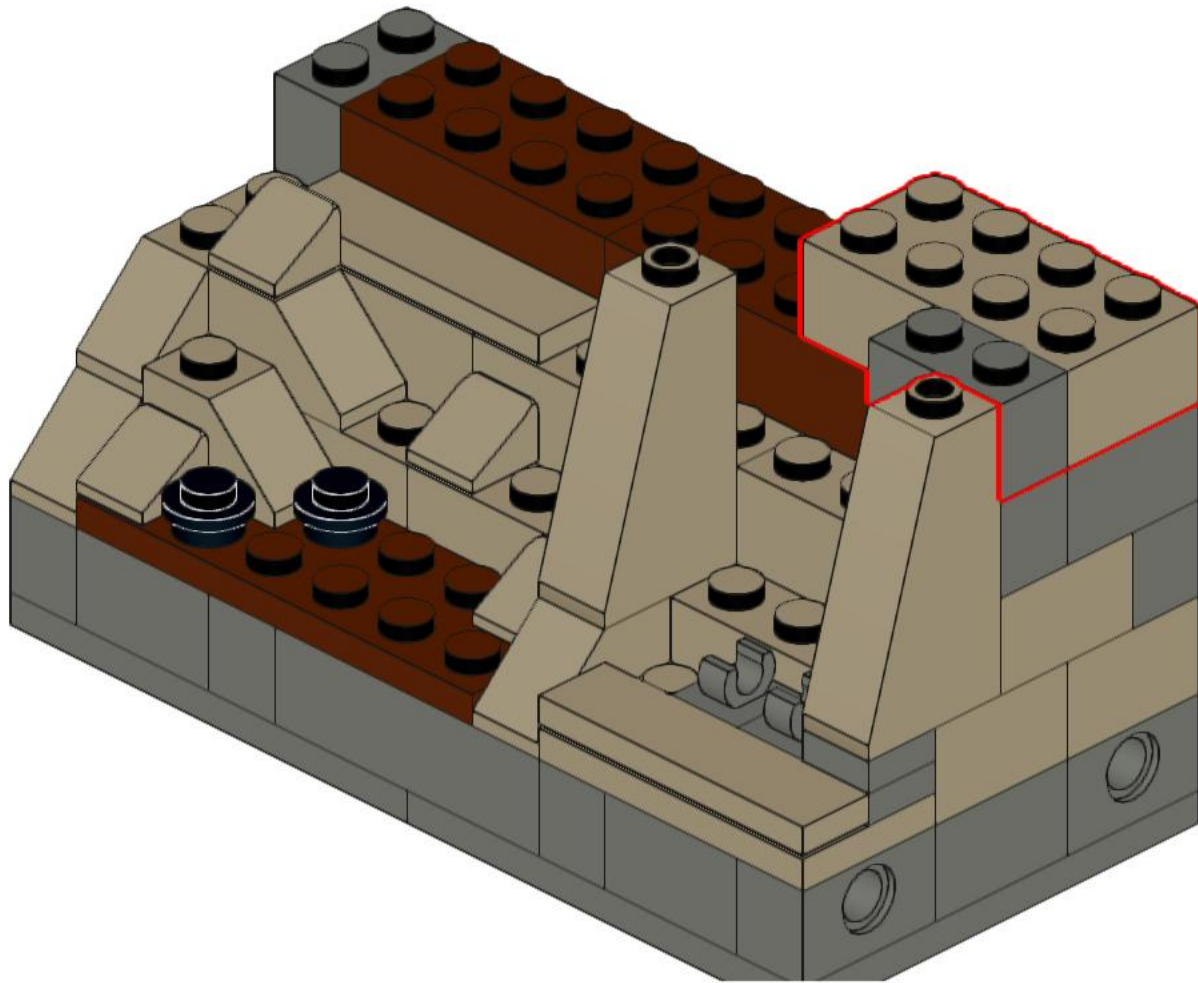
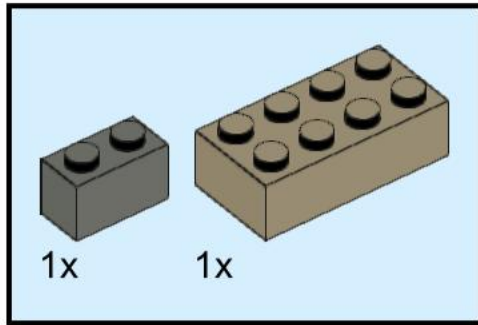
17



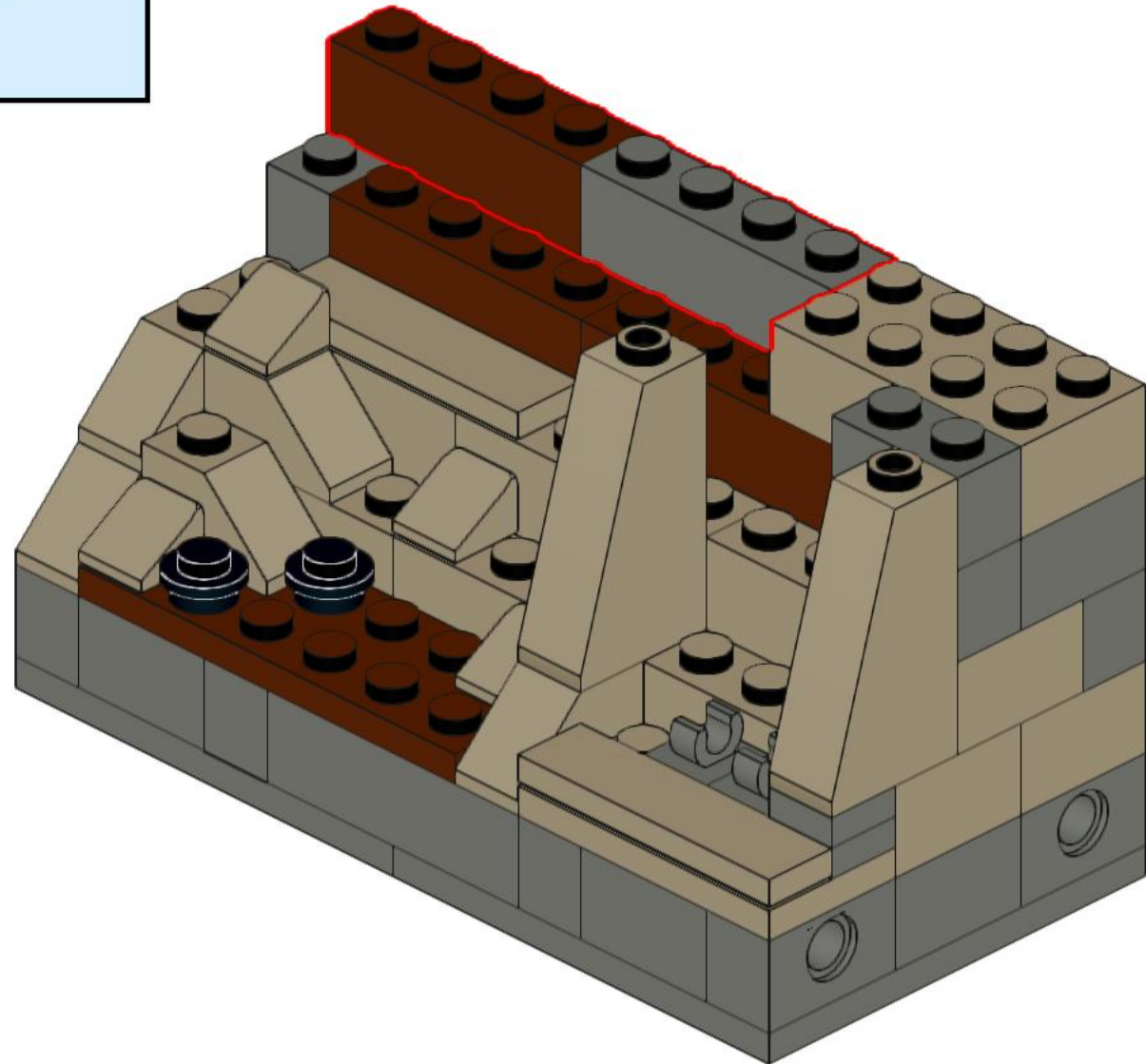
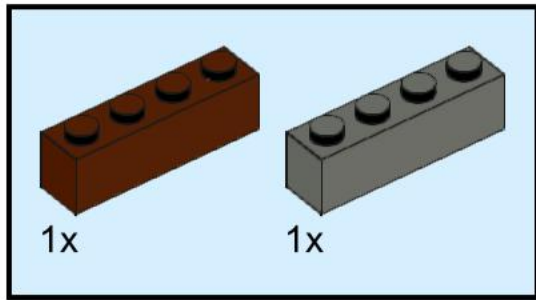
18



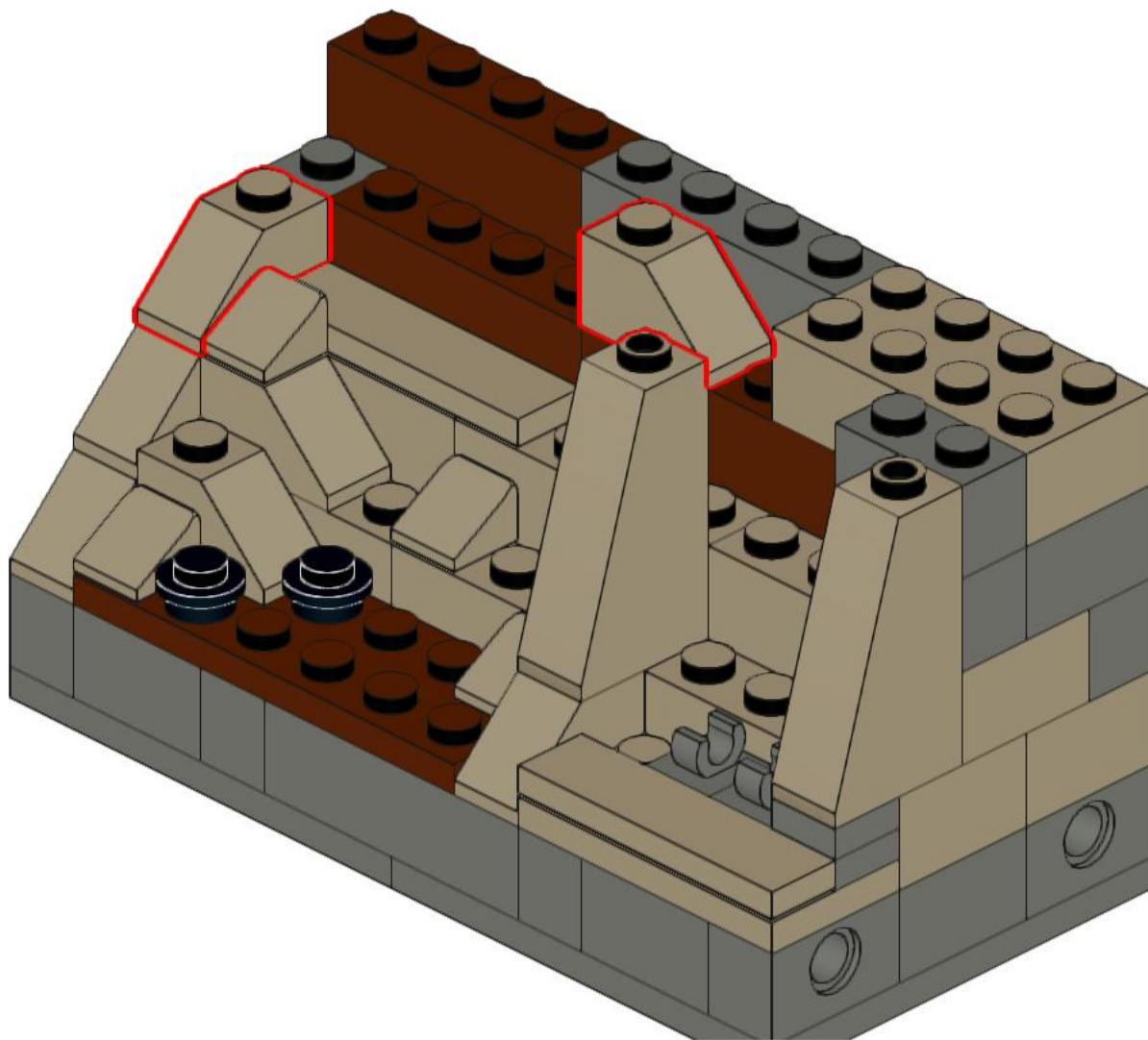
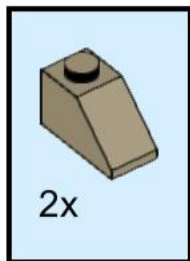
19



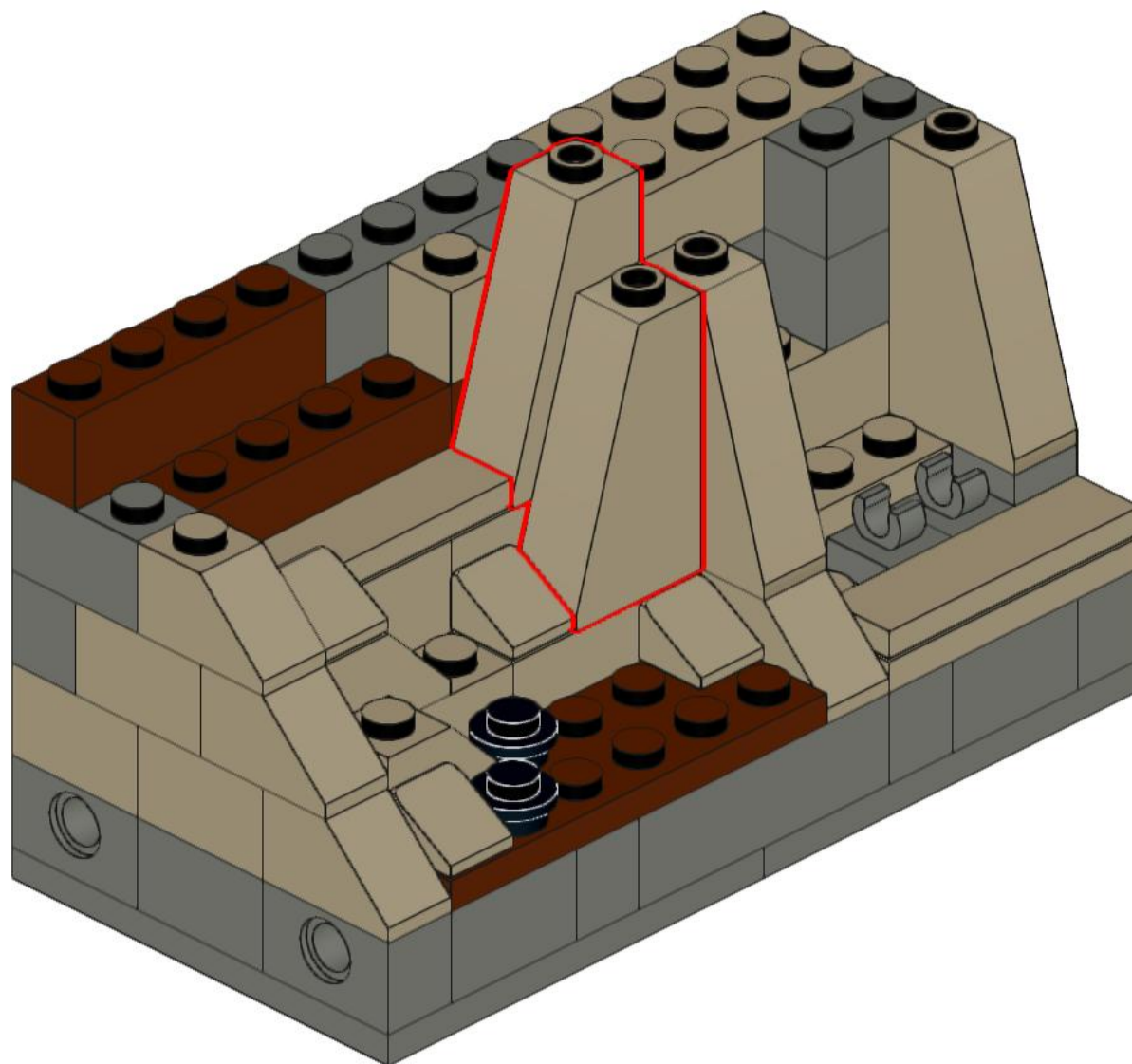
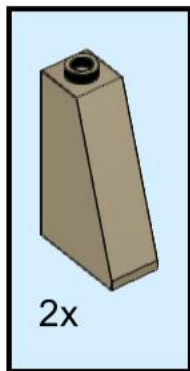
20



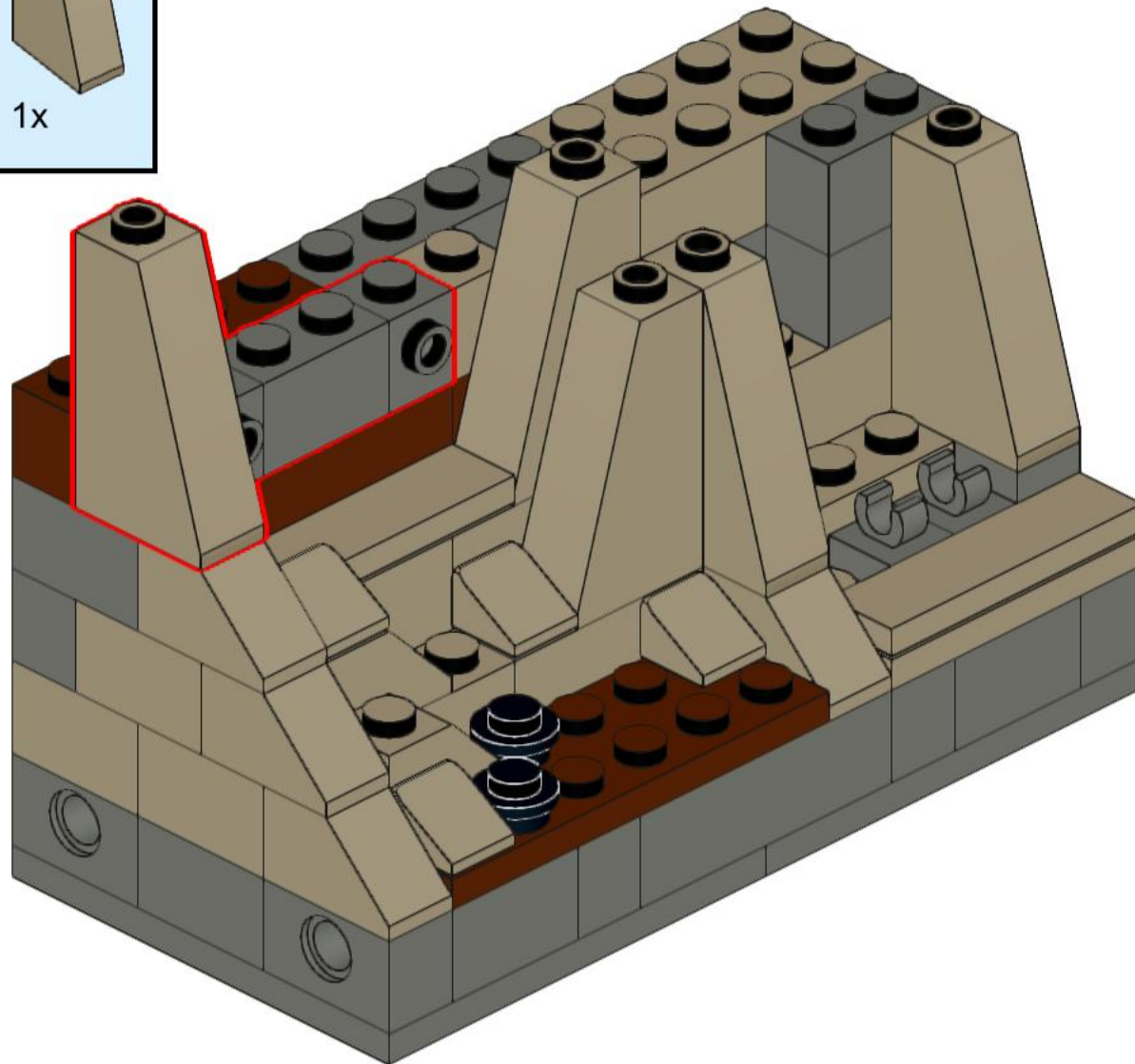
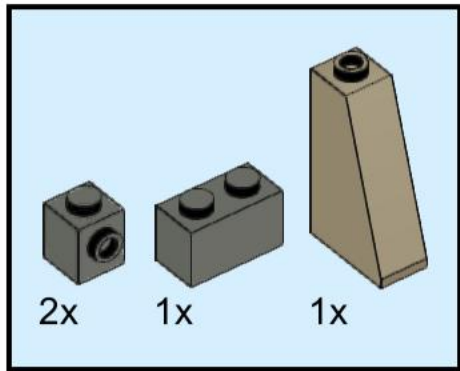
21



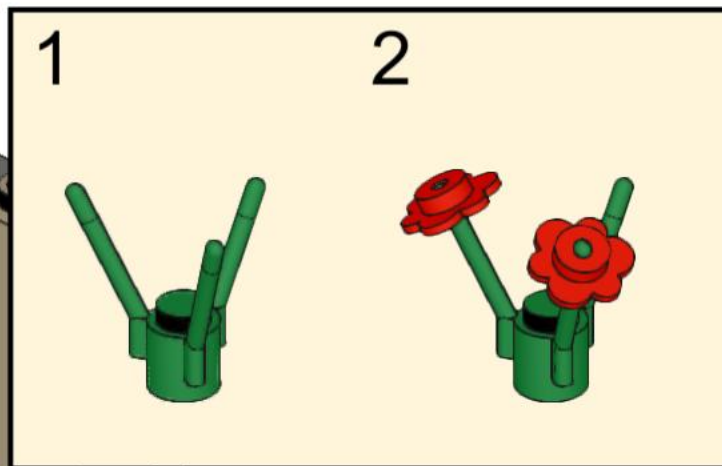
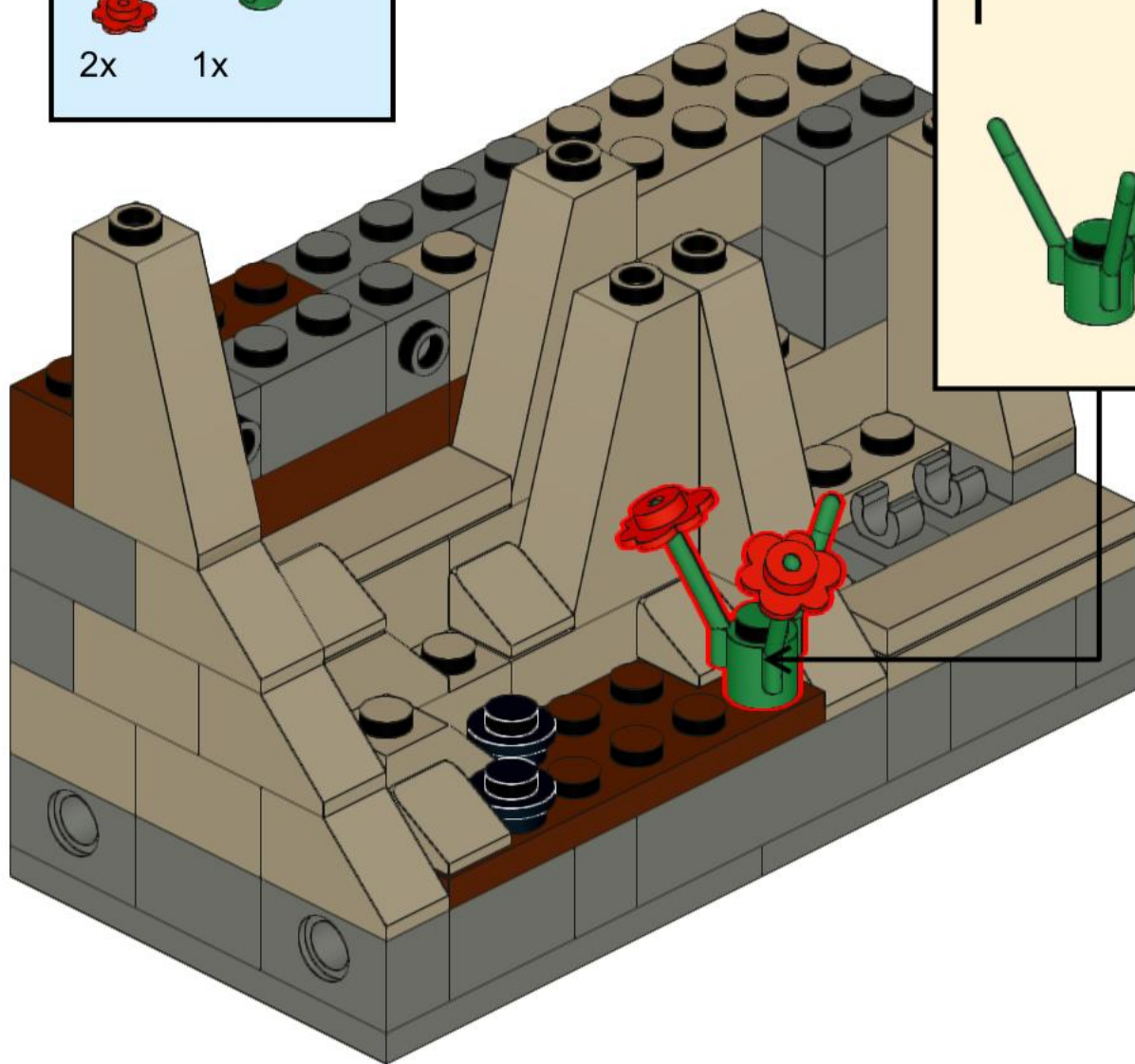
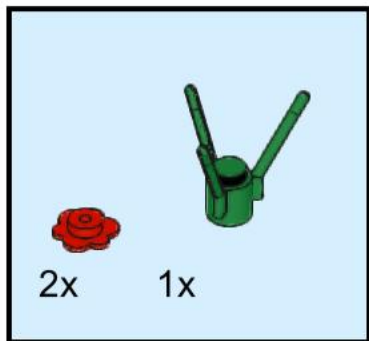
22



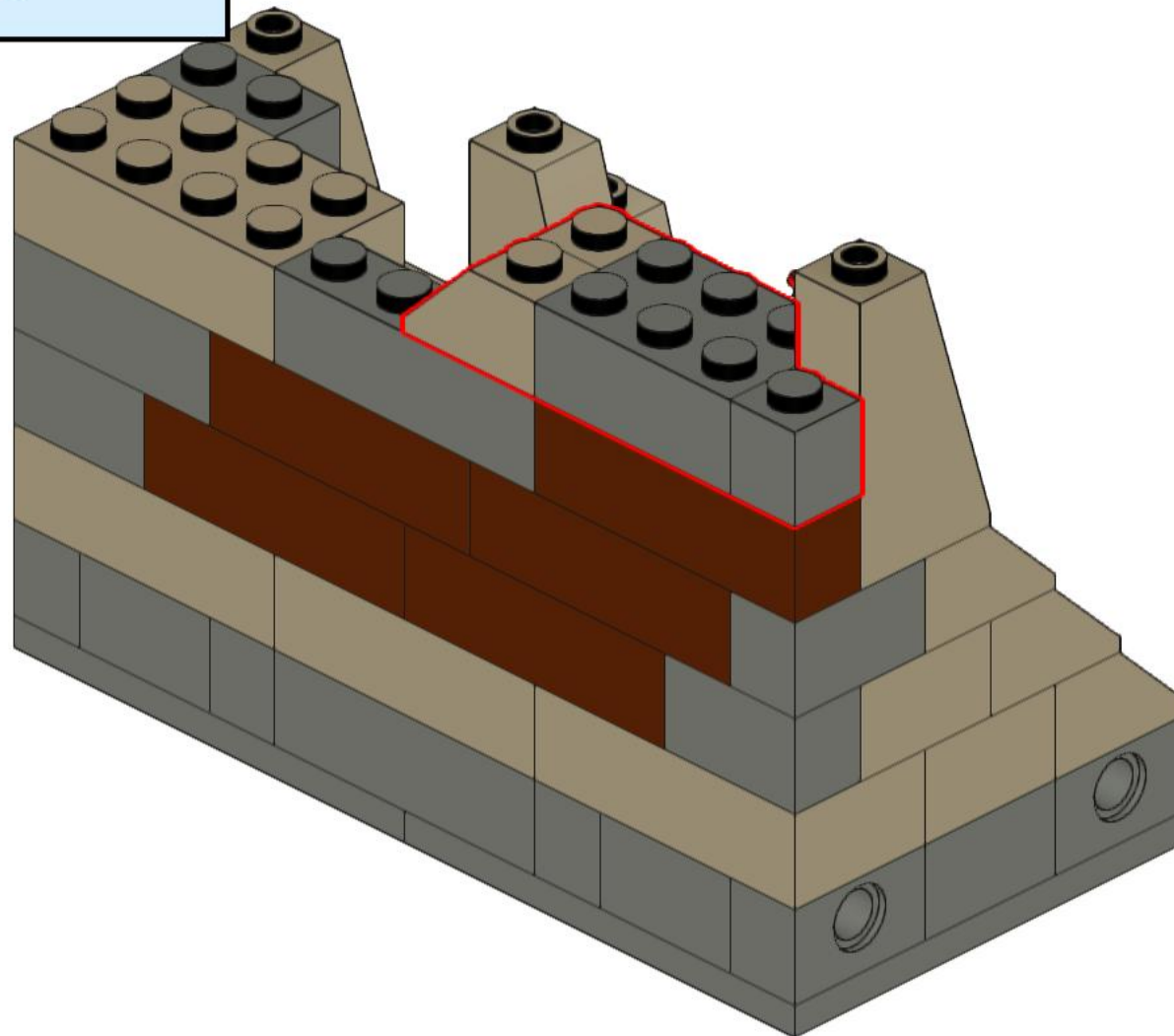
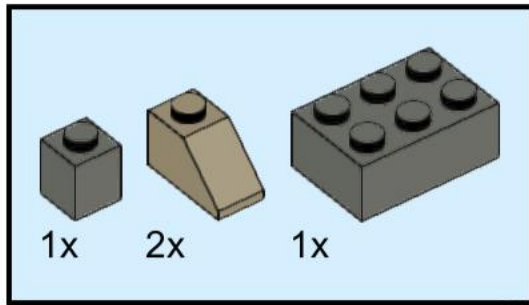
23



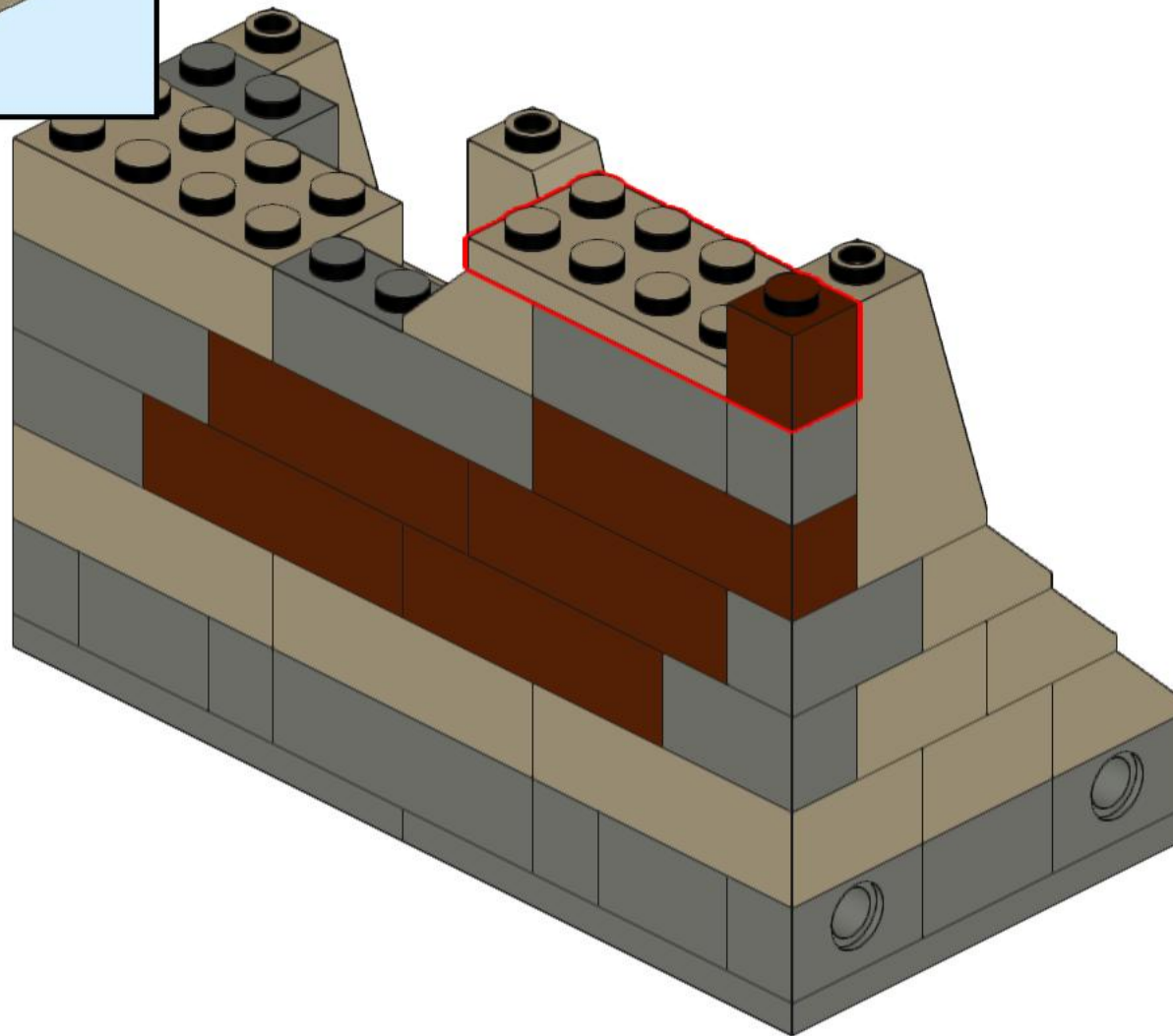
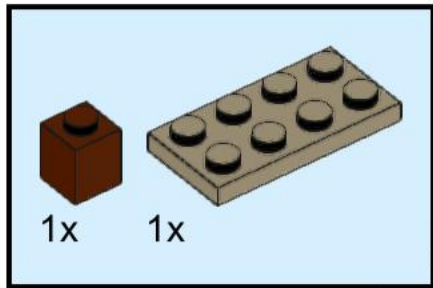
24



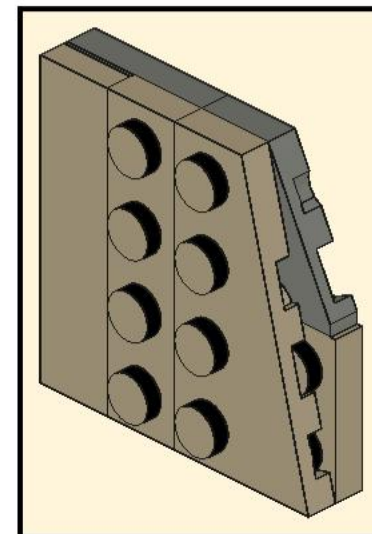
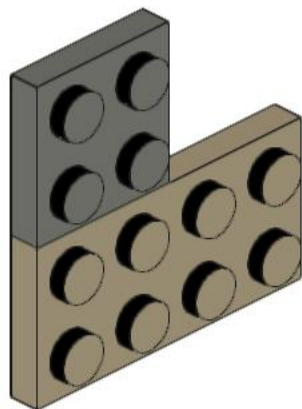
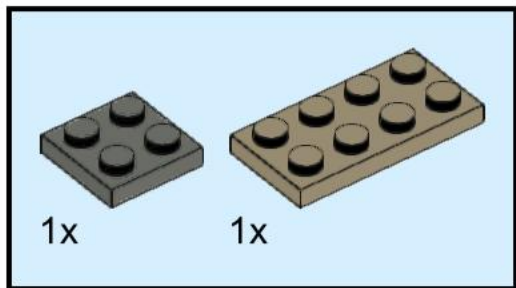
25



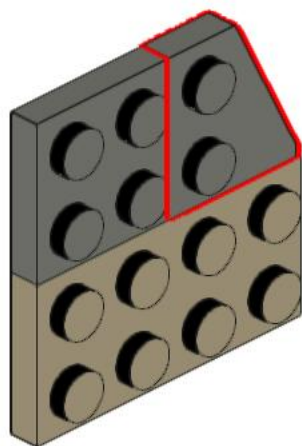
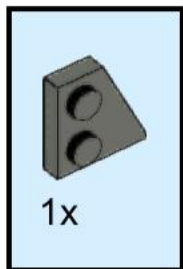
26



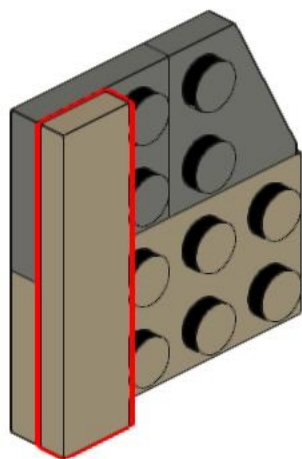
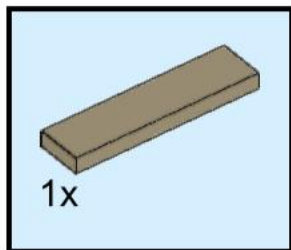
27



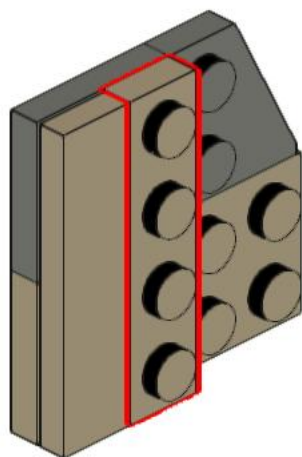
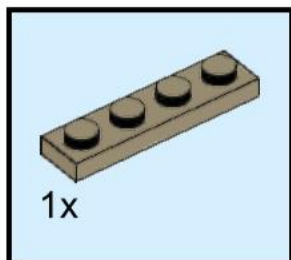
28



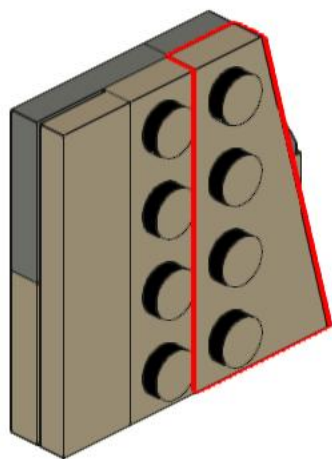
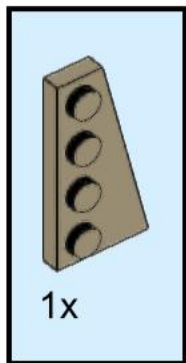
29



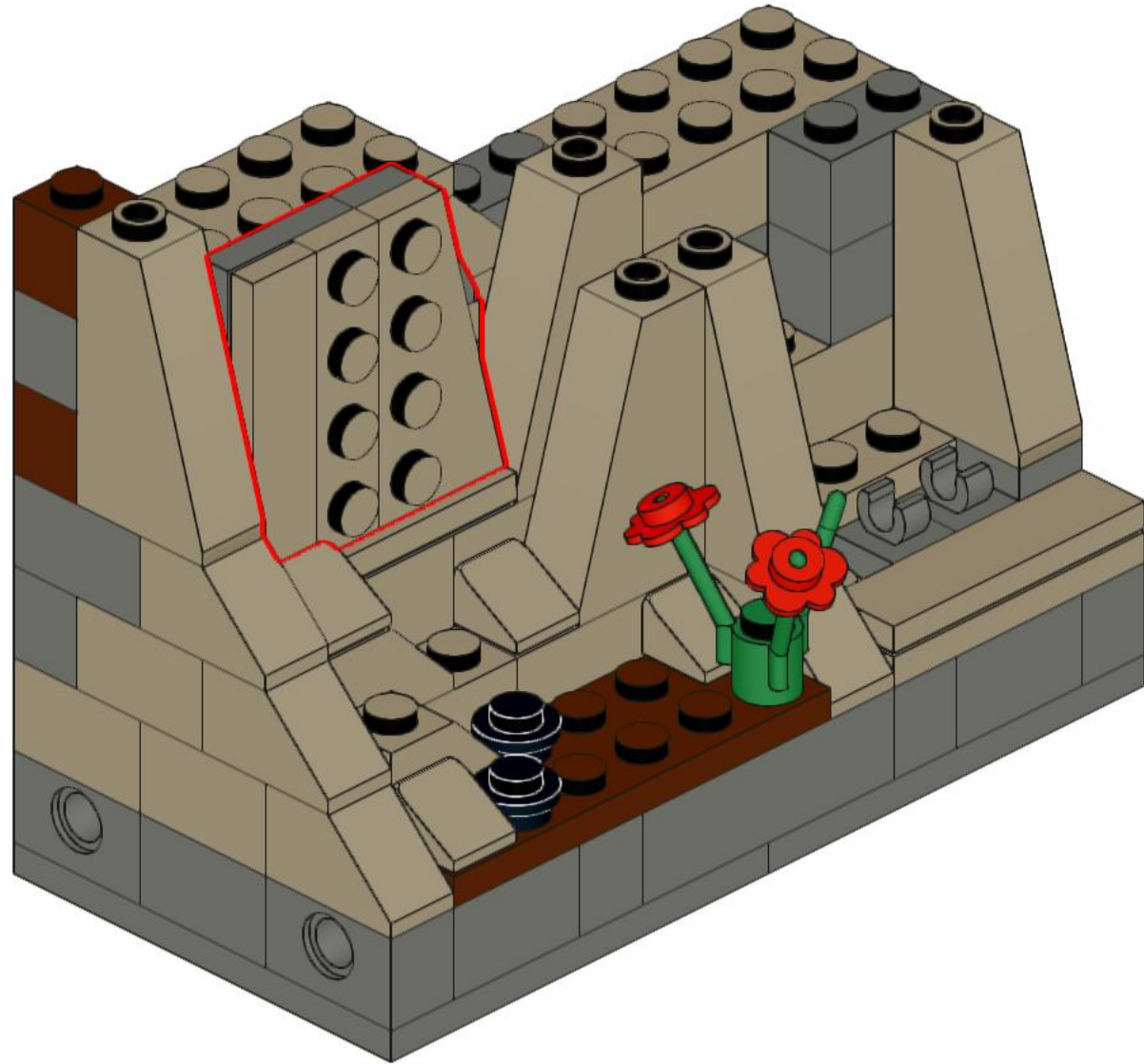
30



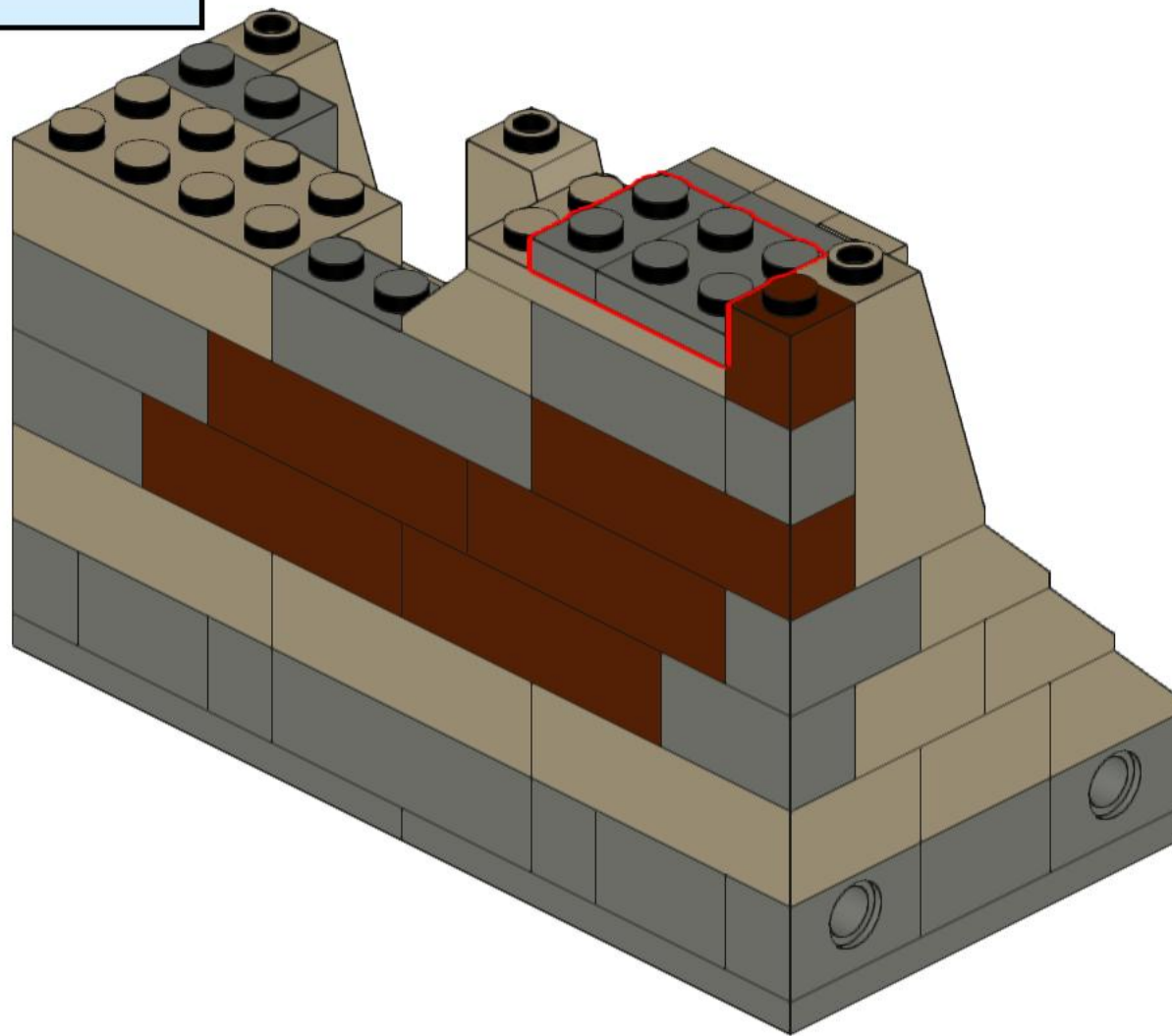
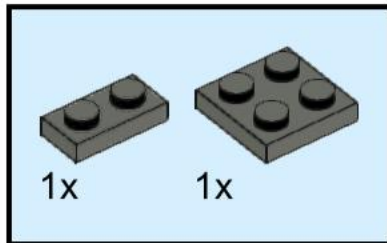
31



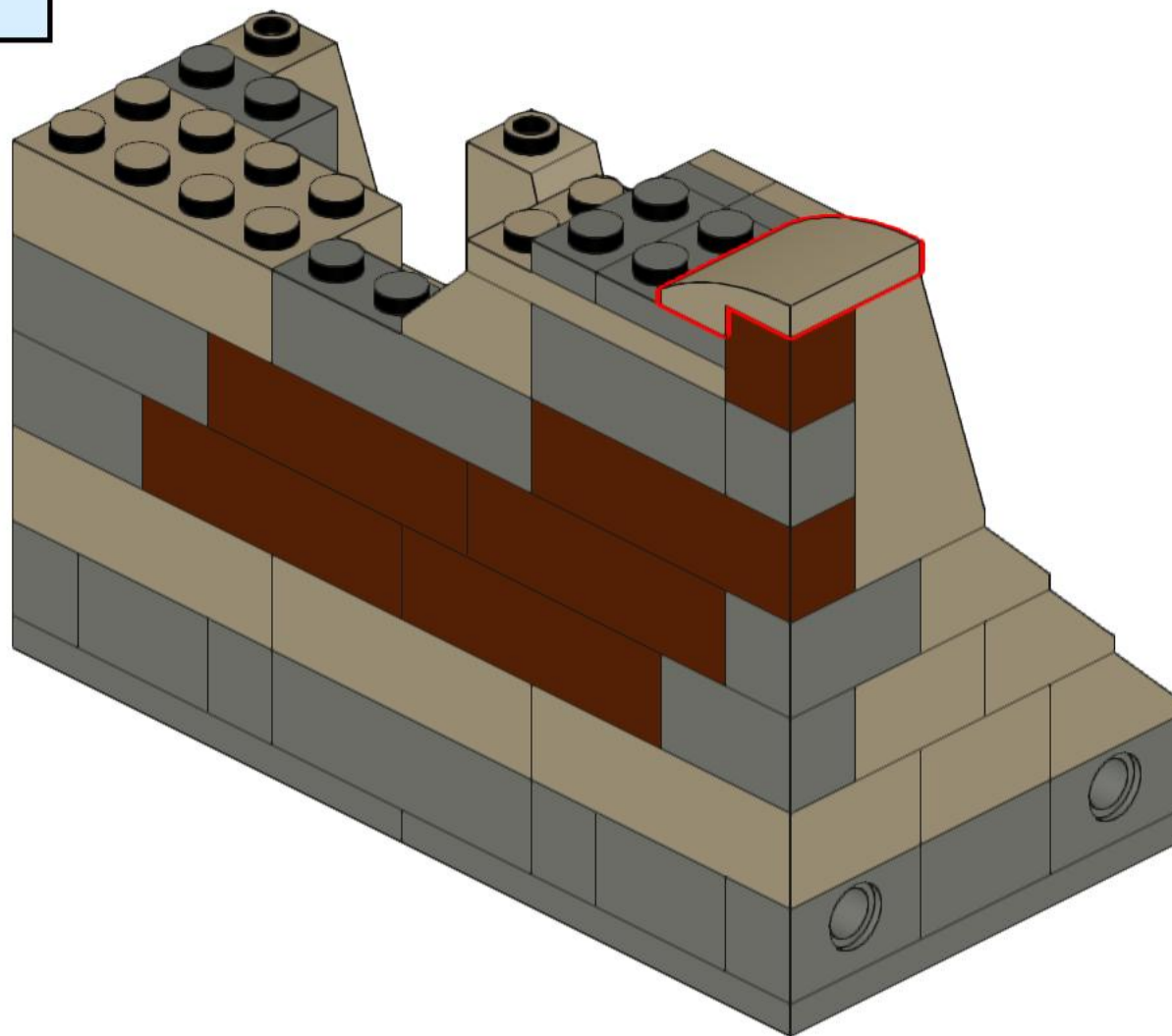
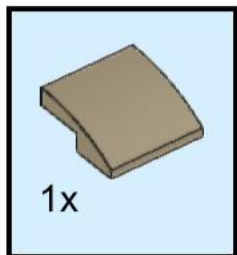
32



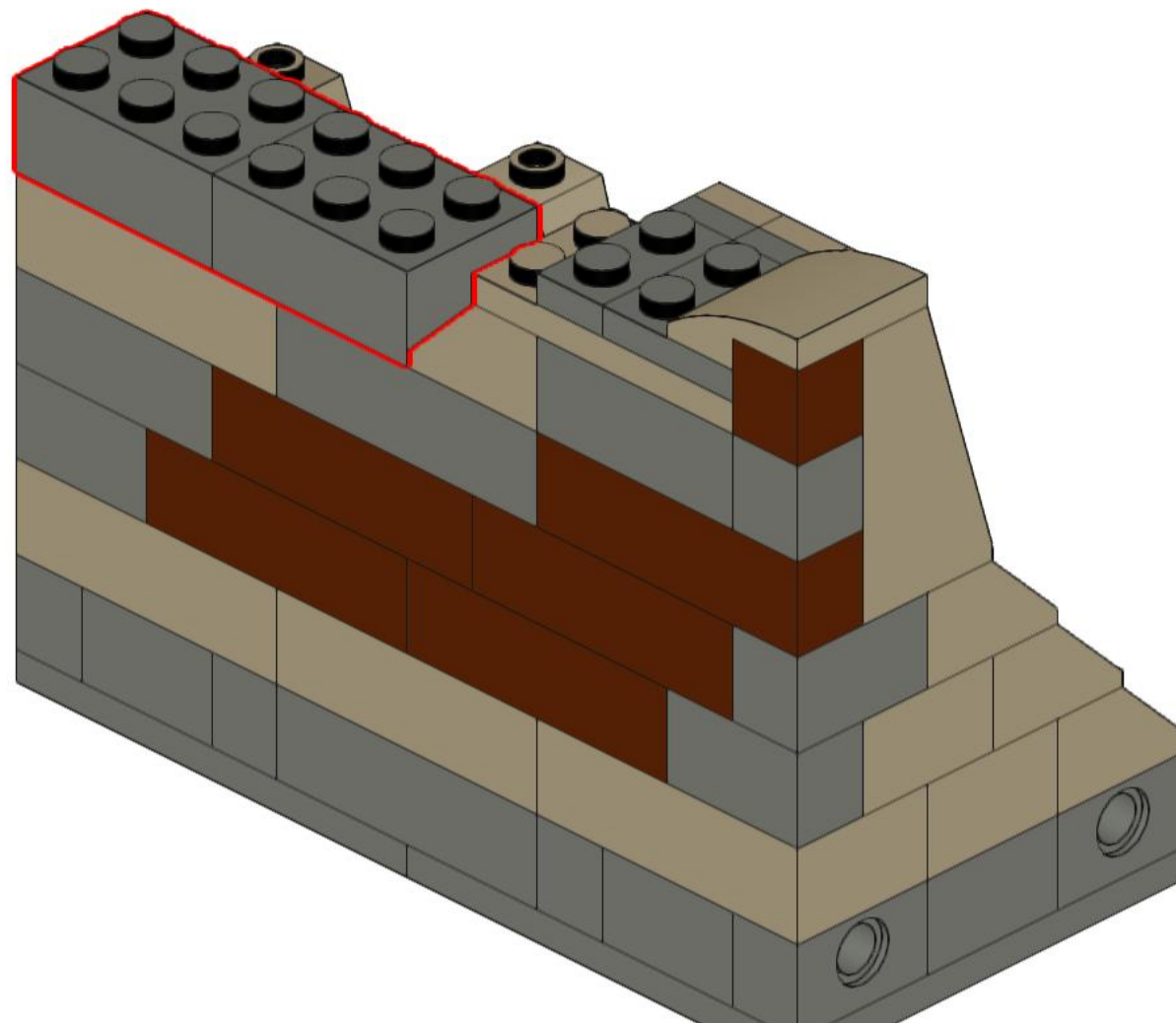
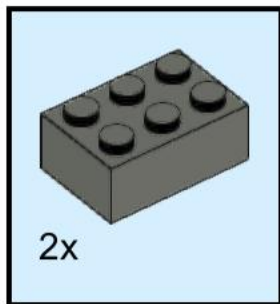
33



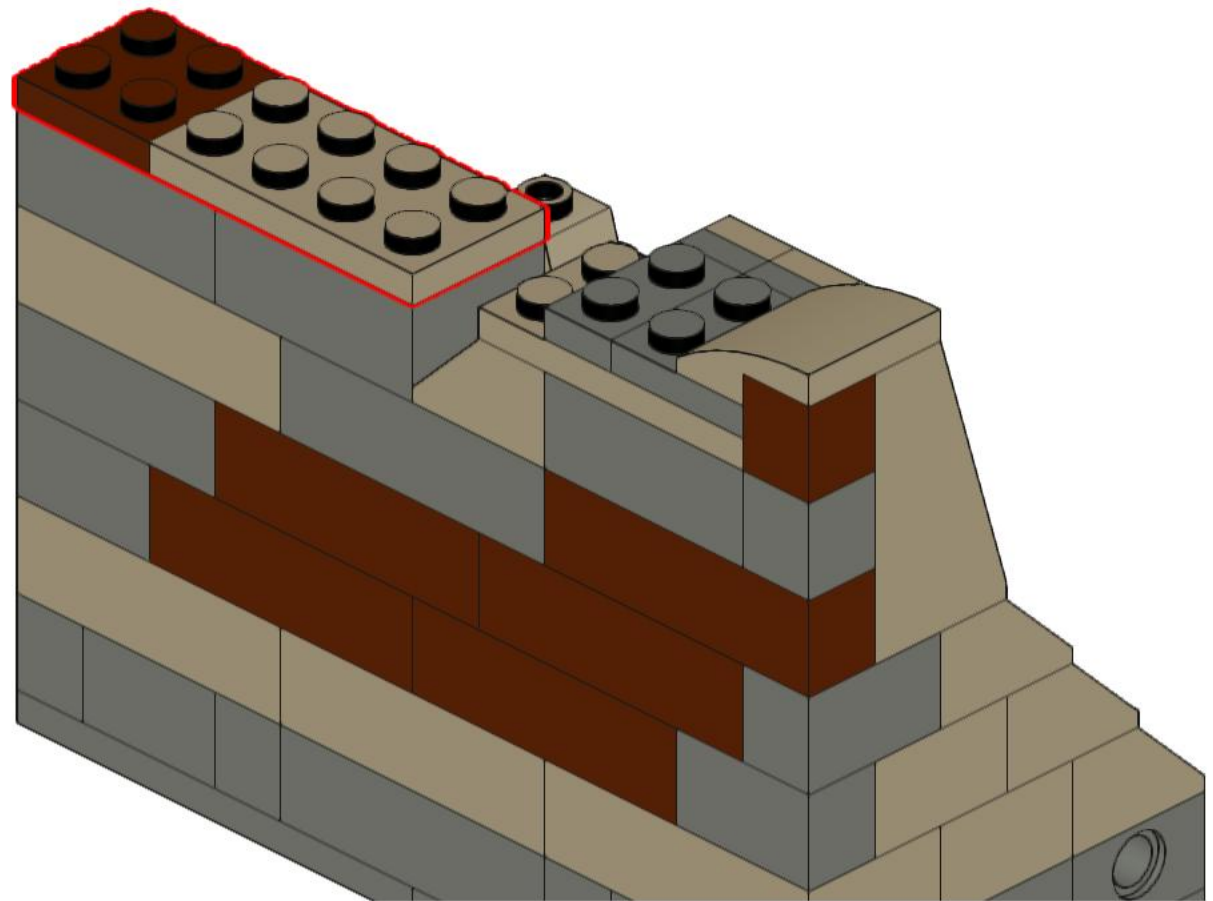
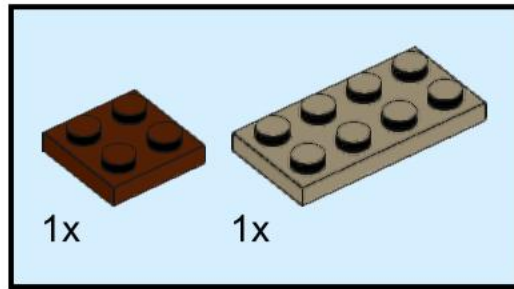
34



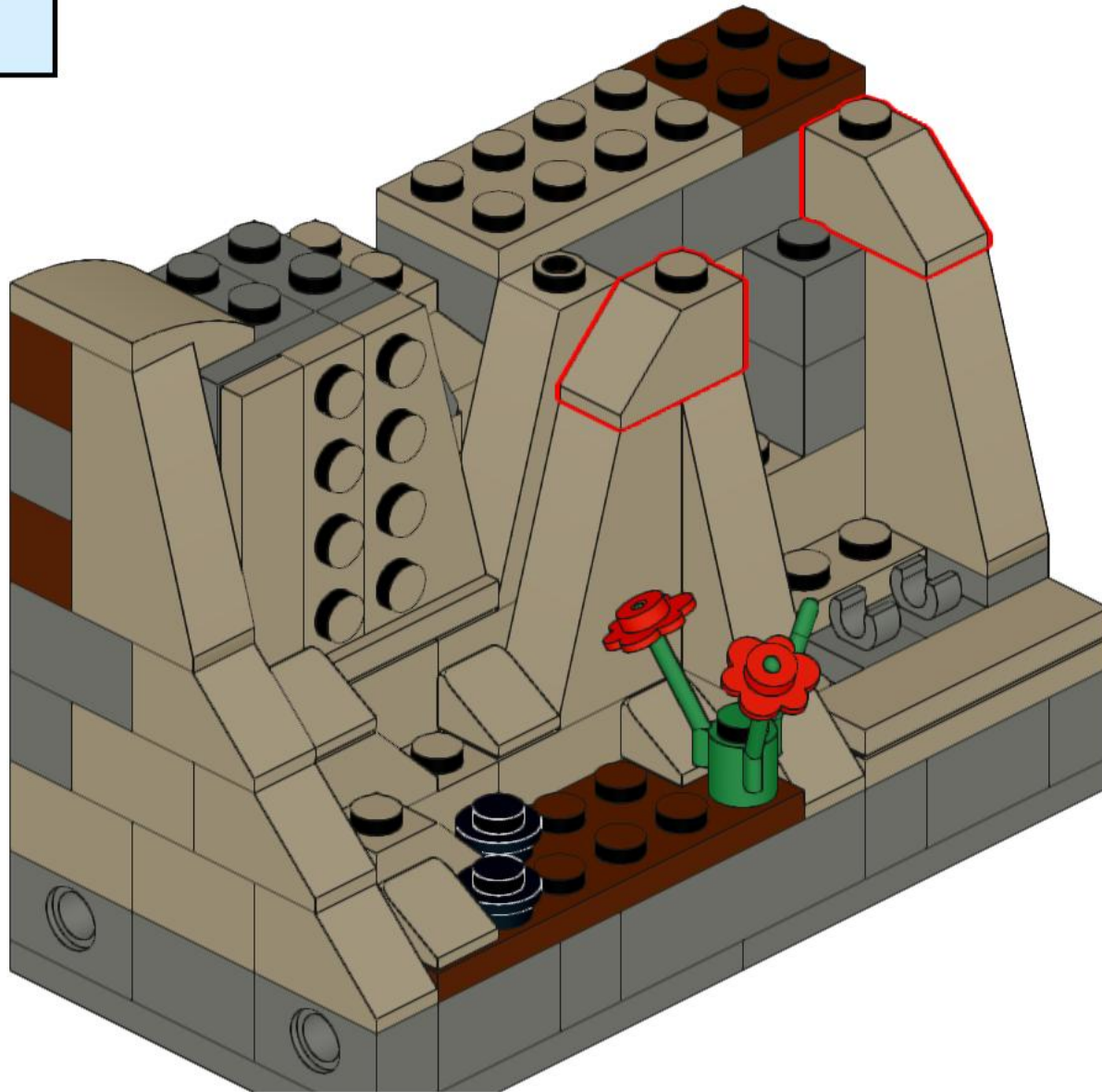
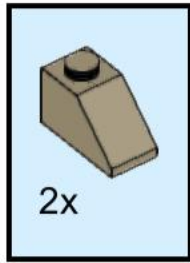
35



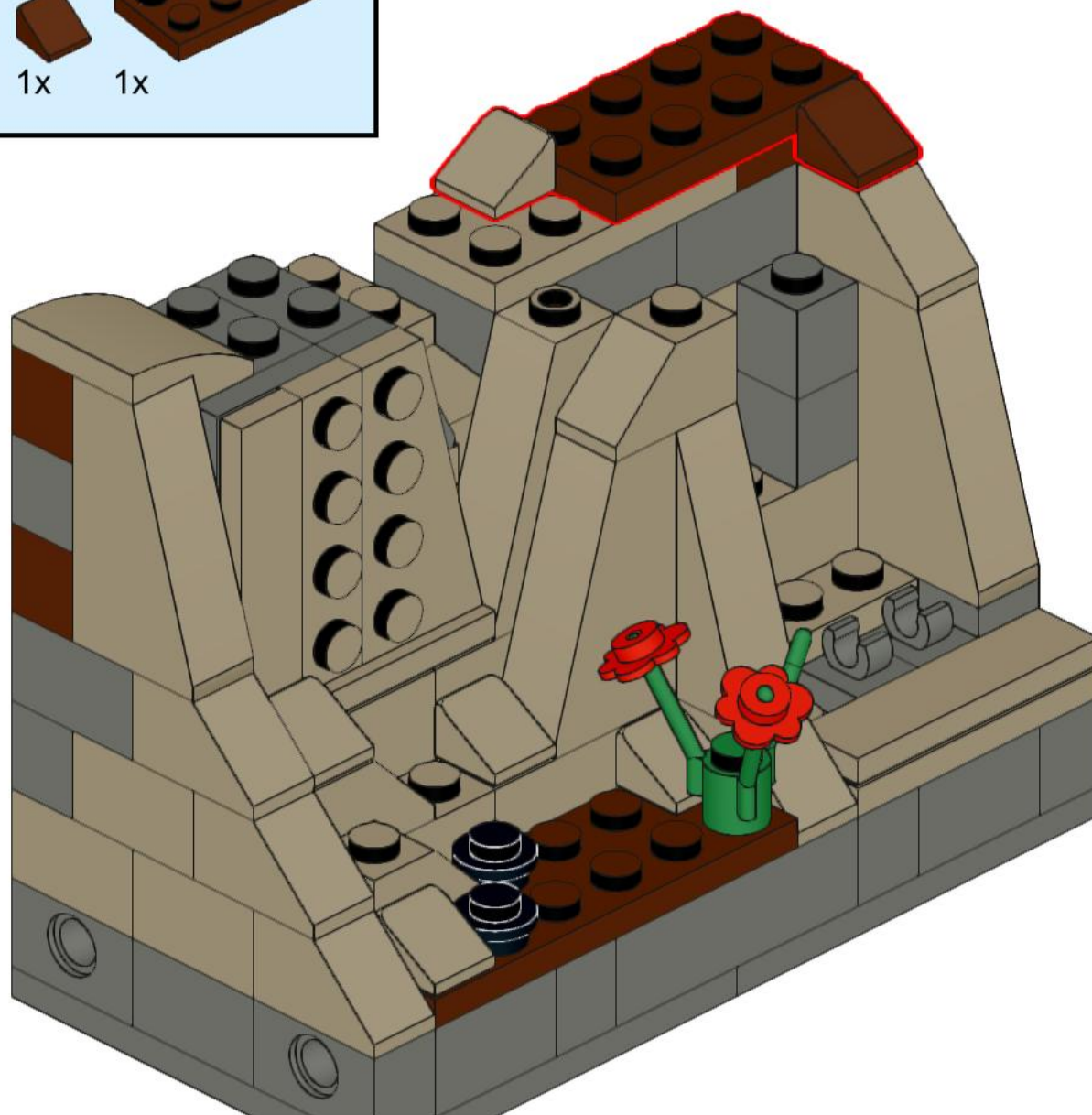
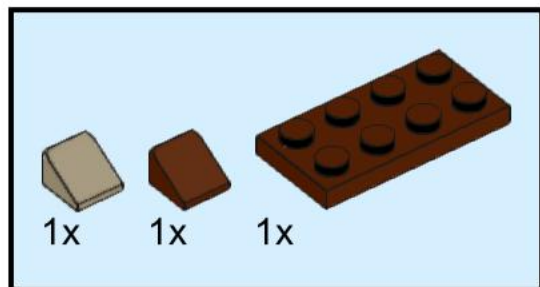
36



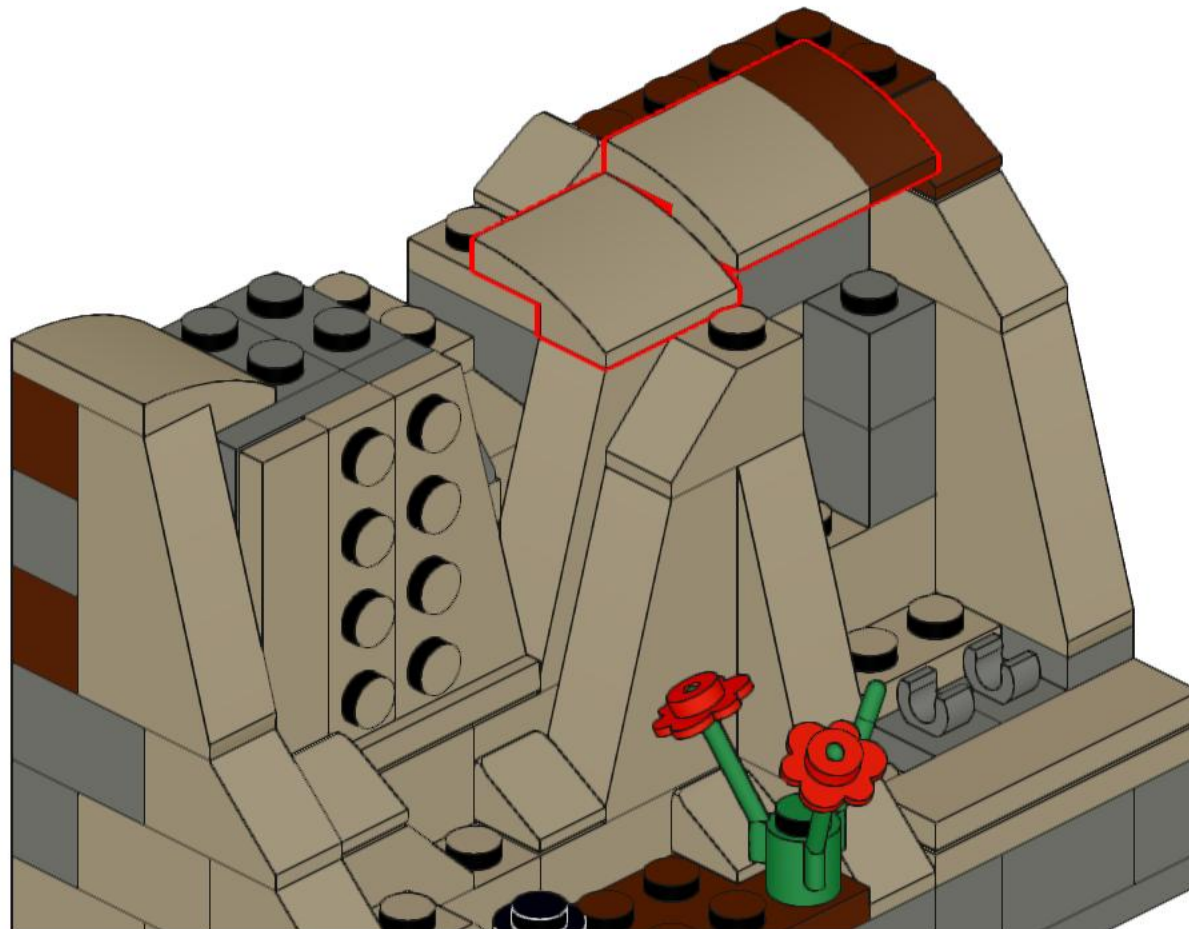
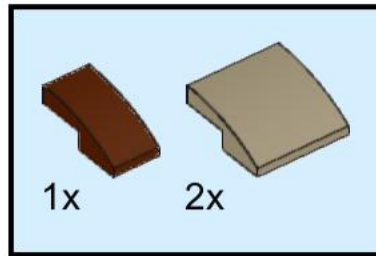
37



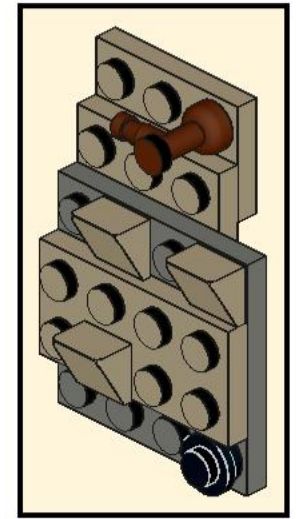
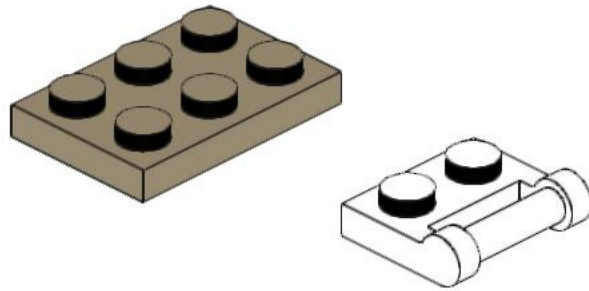
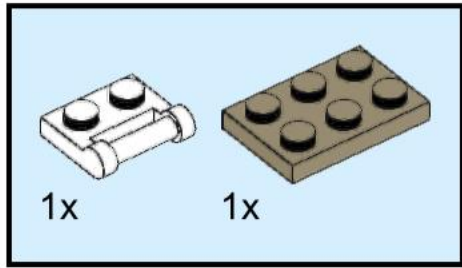
38



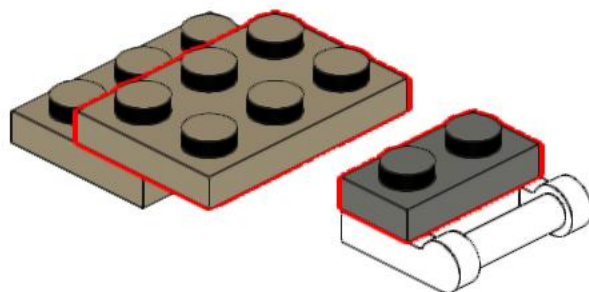
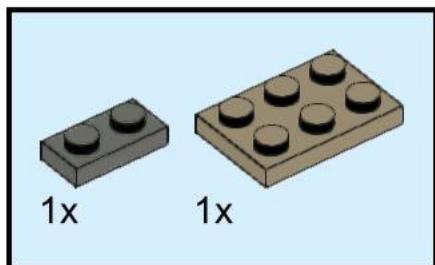
39



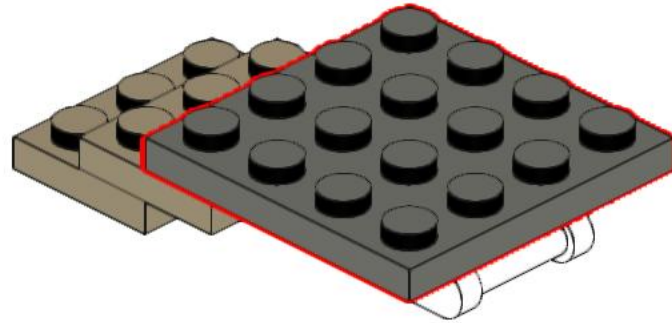
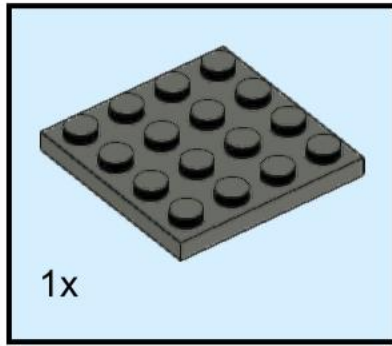
40



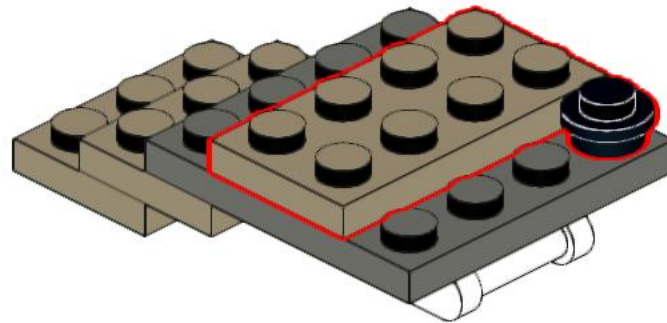
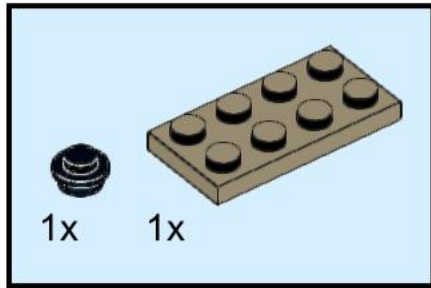
41



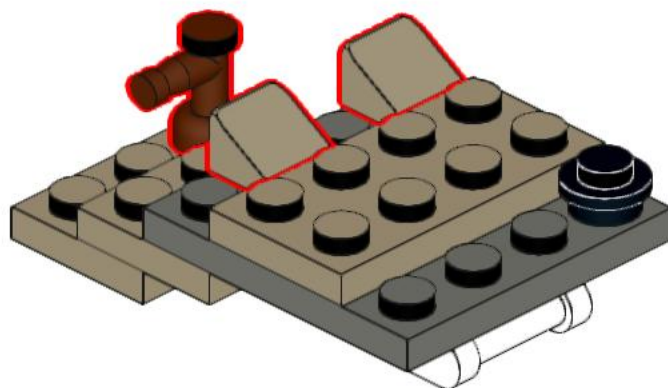
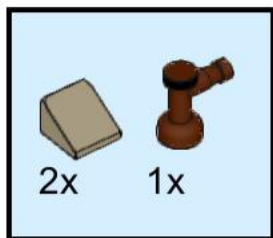
42



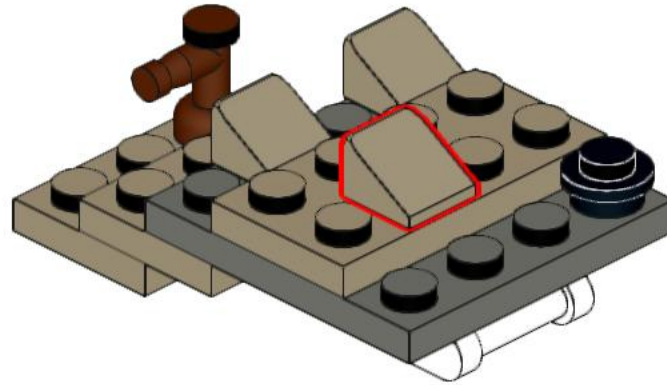
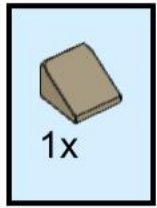
43



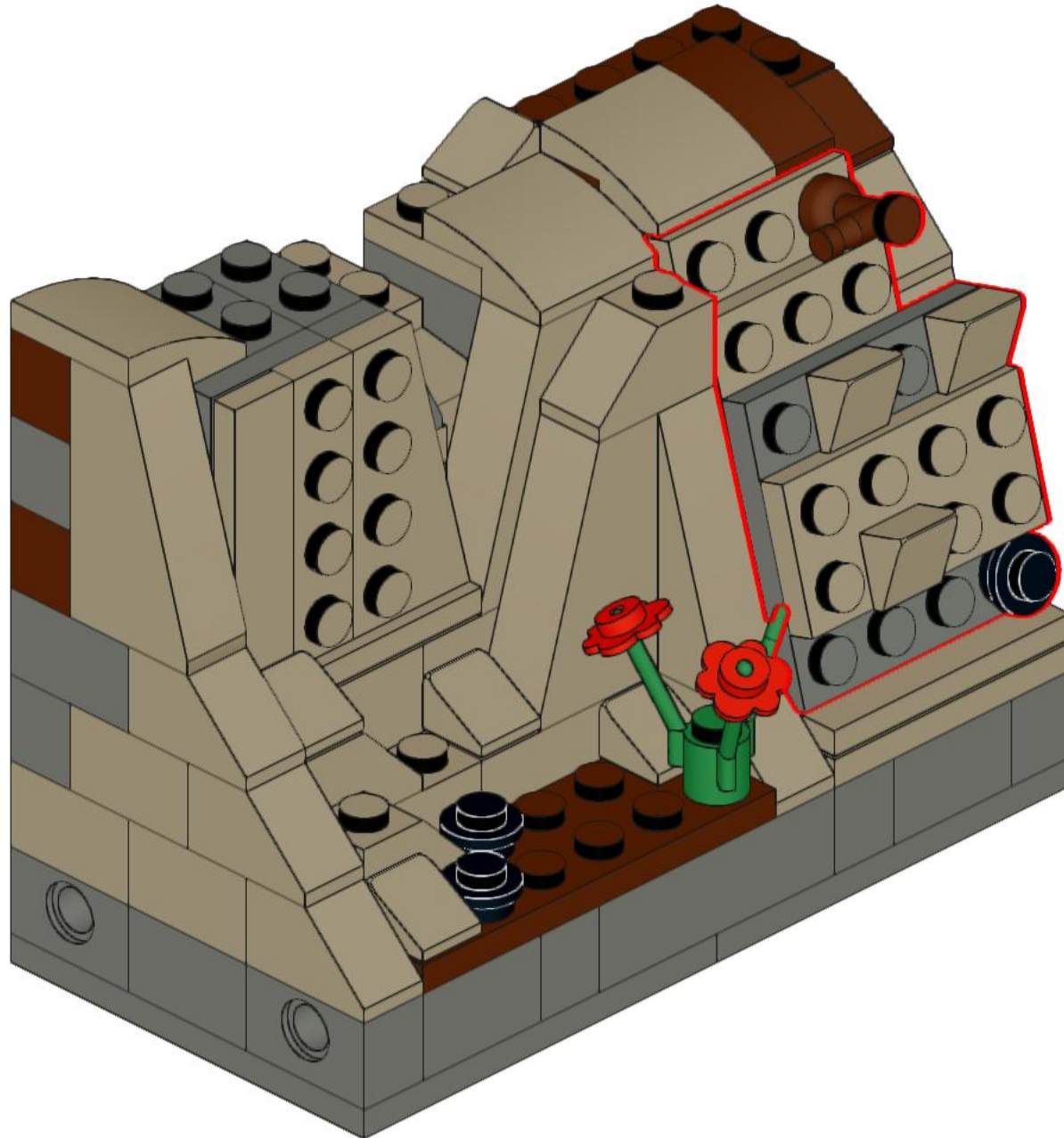
44



45

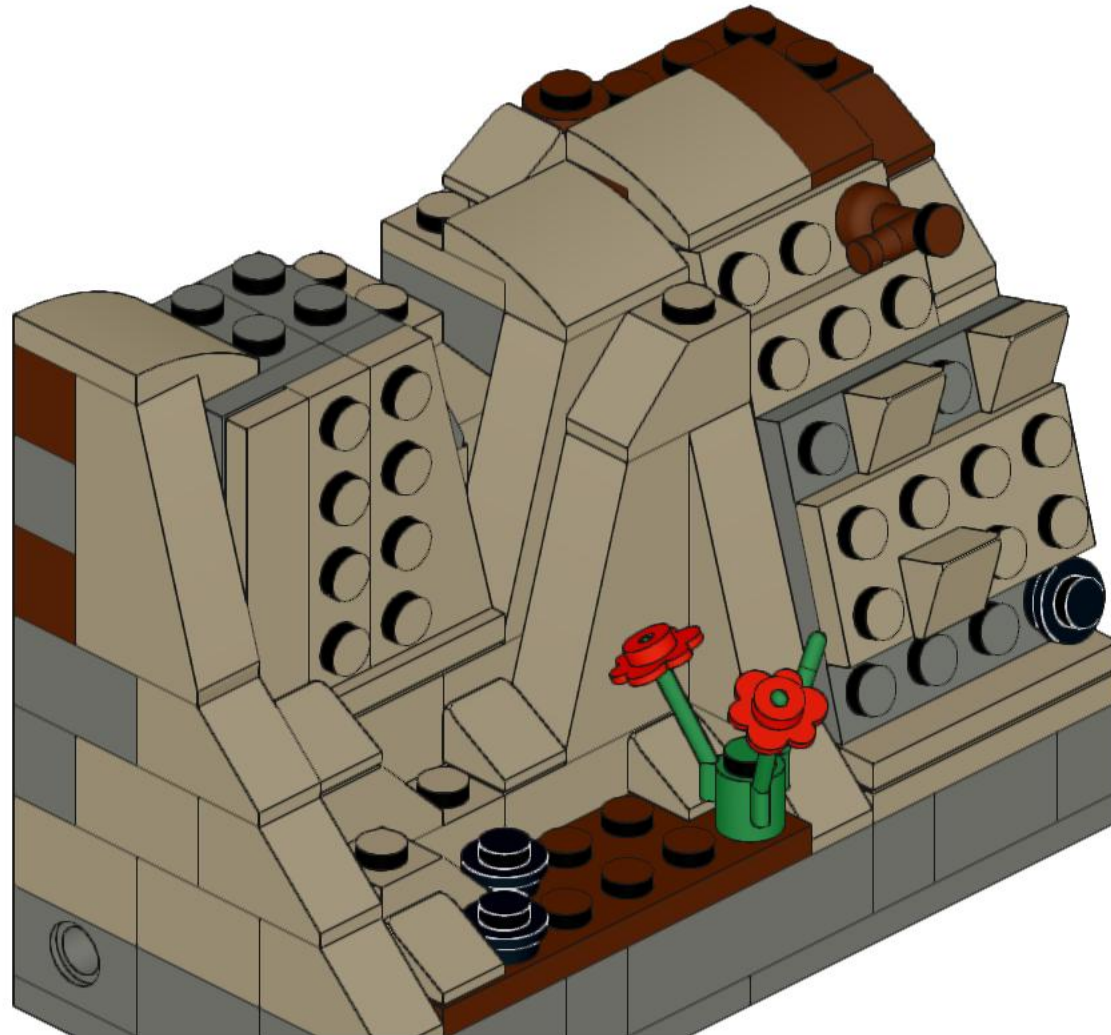


46



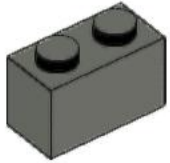
48

Place your
minifigures
here

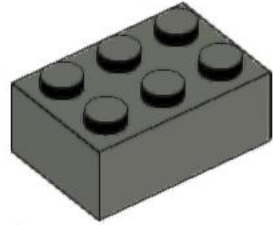




3x
4073, 11



13x
3004, 85



4x
3002, 85



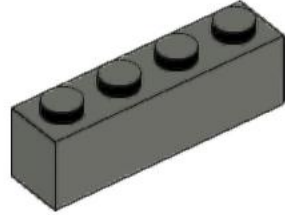
1x
4073, 88



2x
3024, 85



4x
3700, 85



3x
3010, 85

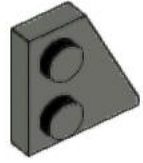
2x
3958, 85



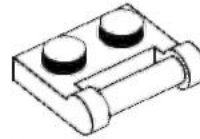
1x
54200, 88



2x
15712, 85



1x
24307, 85



1x
48336, 1



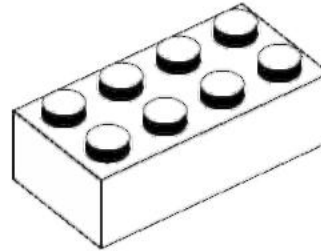
1x
3005, 88



5x
3005, 85



1x
3031, 85



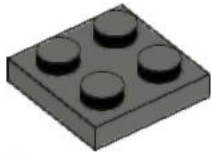
3x
3001, 1



1x
4599b, 88



2x
87087, 85



2x
3022, 85



1x
11477, 88



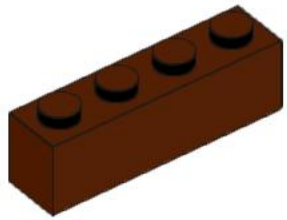
2x
3023, 85



2x
3742, 5



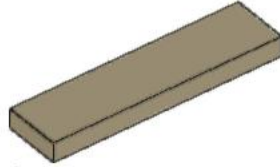
1x
3022, 88



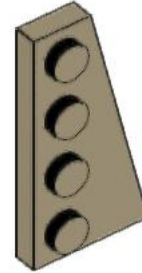
3x
3010, 88



8x
54200, 69



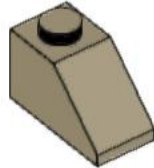
3x
2431, 69



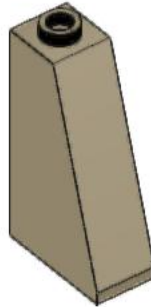
1x
41769, 69



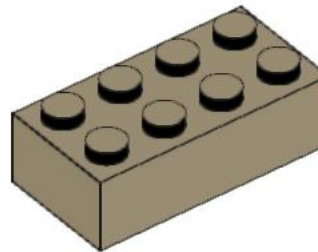
1x
3020, 88



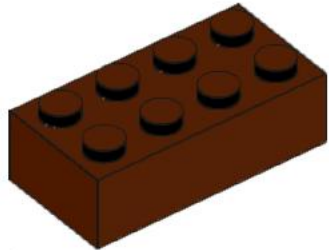
11x
3040, 69



5x
4460b, 69



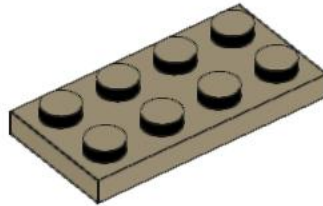
10x
3001, 69



2x
3001, 88



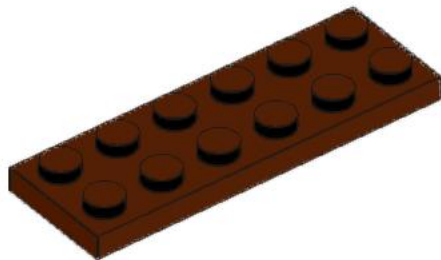
3x
15068, 69



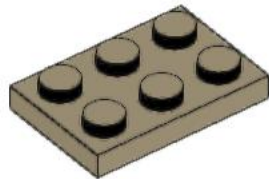
5x
3020, 69



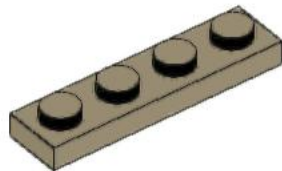
1x
3741, 6



1x
3795, 88



2x
3021, 69



1x
3710, 69

Use Bricklink or your own collection of parts to able to Build this model

ANY Problems with these instructions, Contact straight away for a re-issue, or replacement



I.O BRICKS
