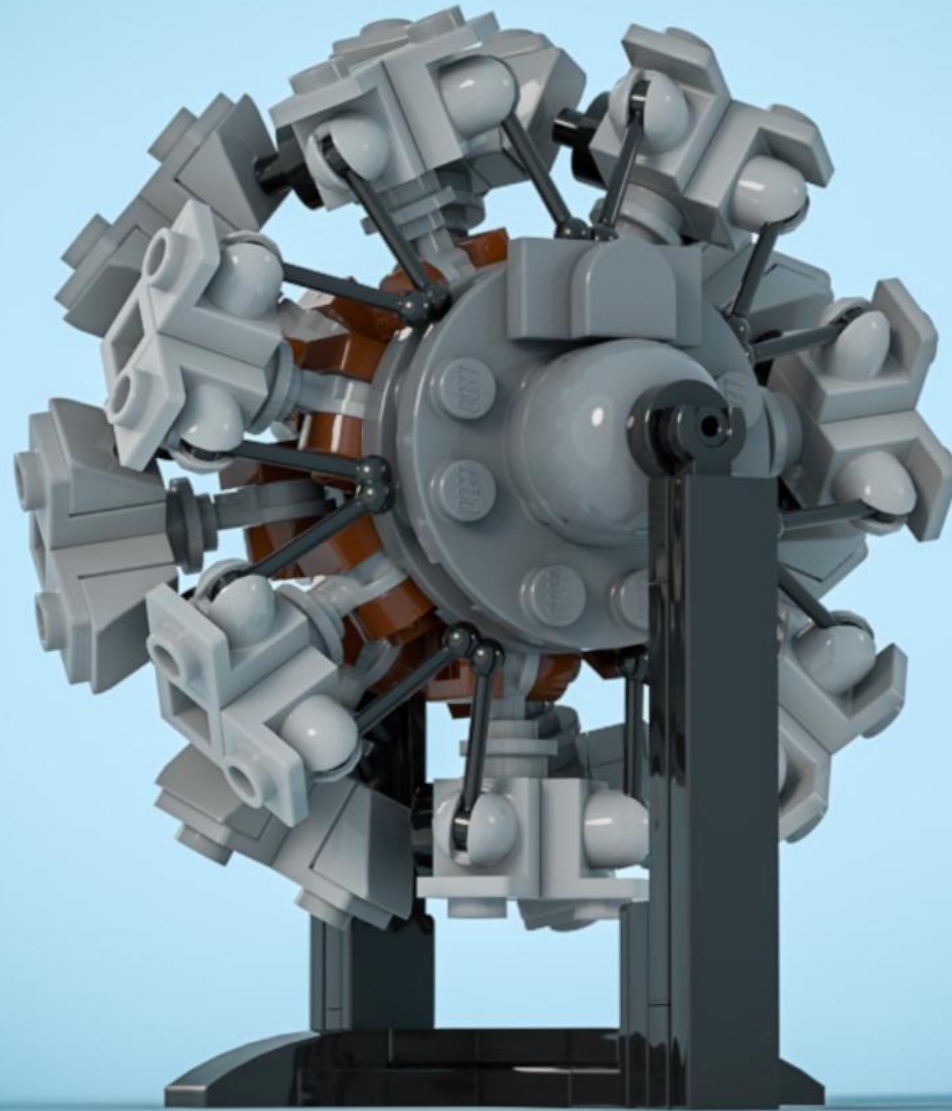
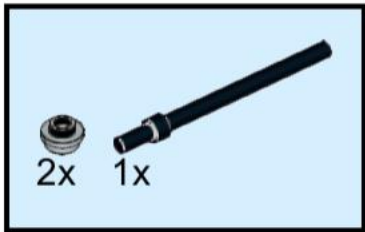


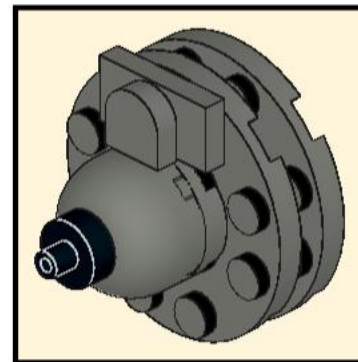
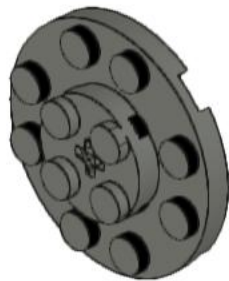
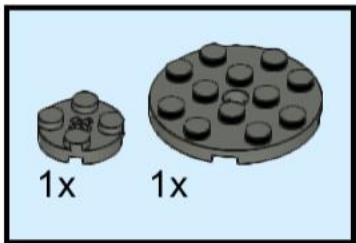
# Pratt & Whitney R-1830 Twin Wasp Engine



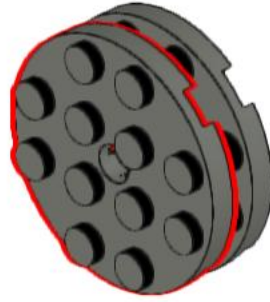
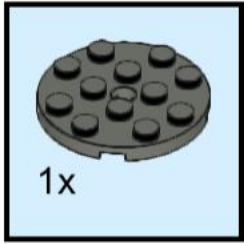
1



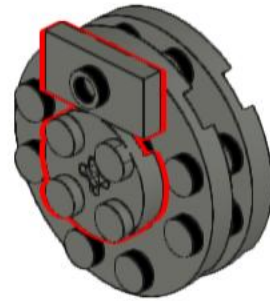
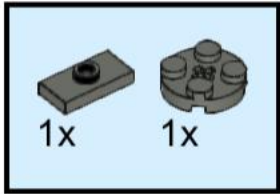
2



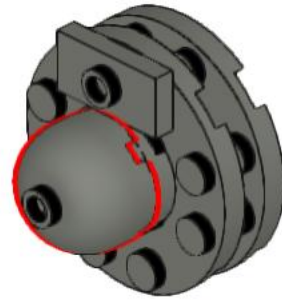
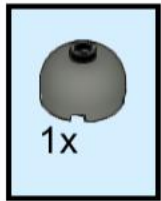
3



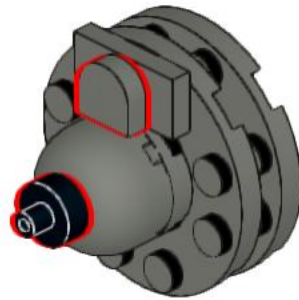
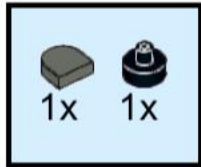
4



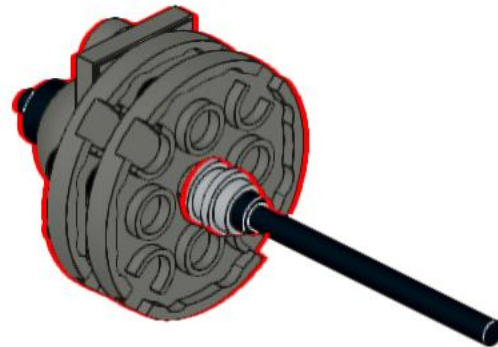
5



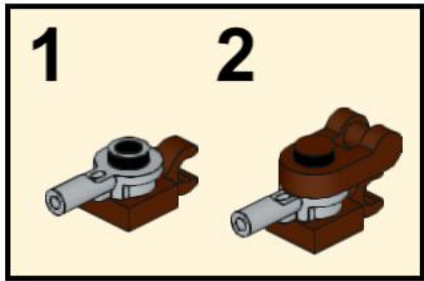
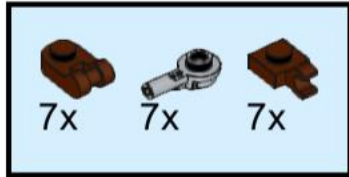
6



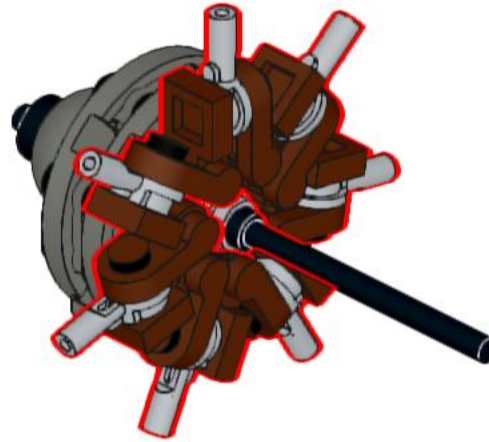
7



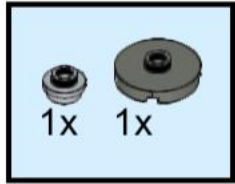
8



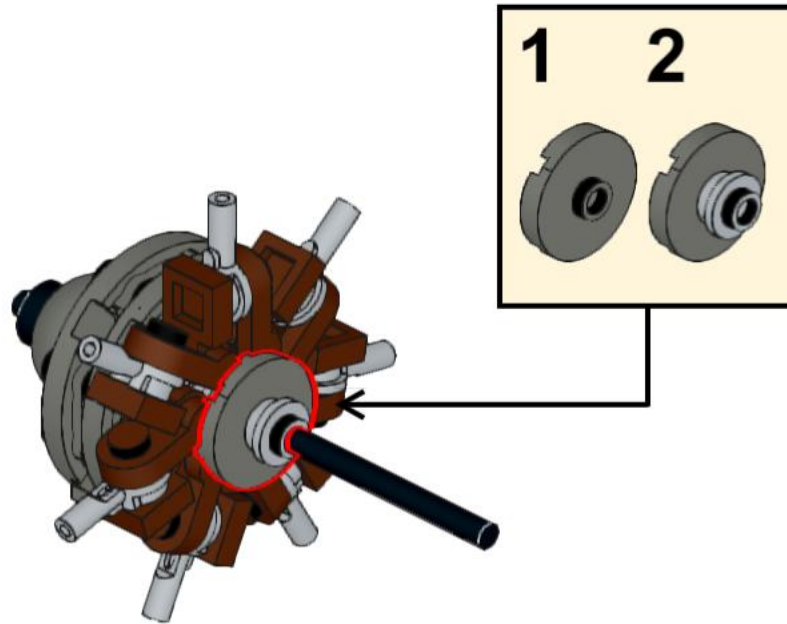
7x



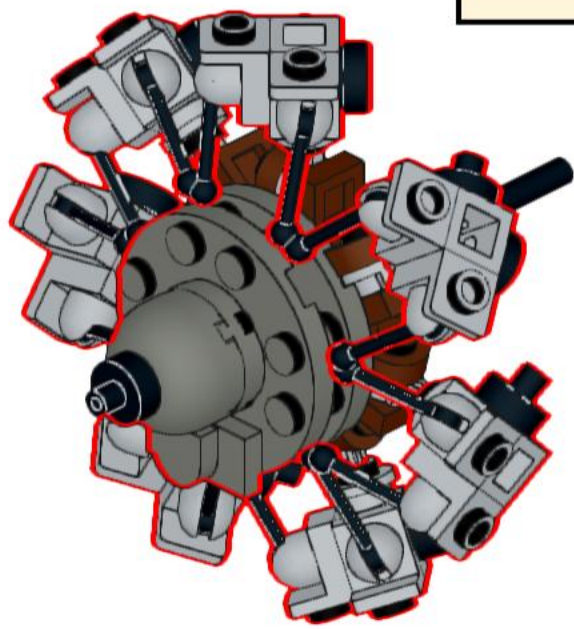
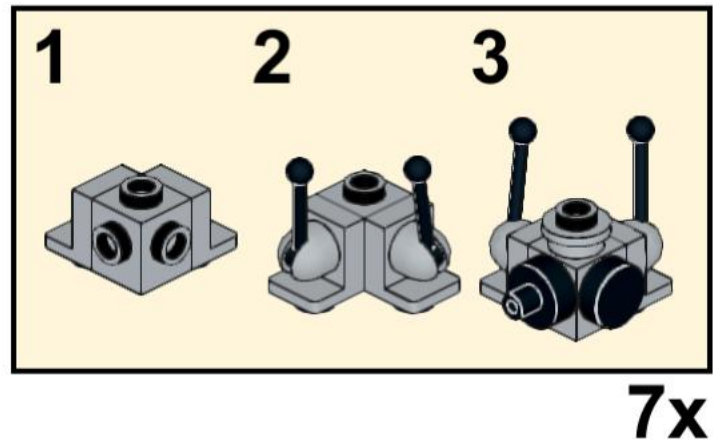
# 9



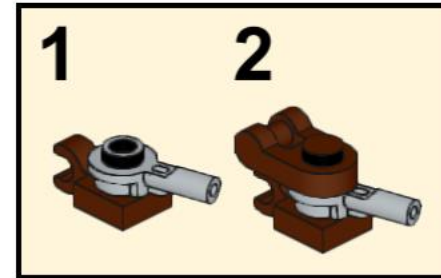
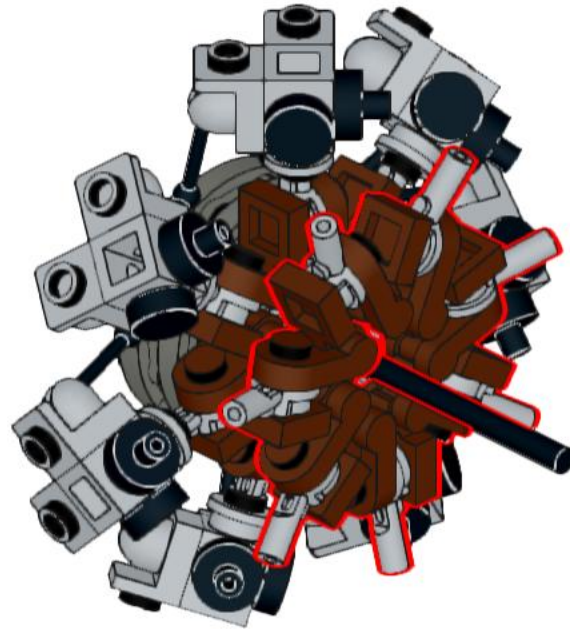
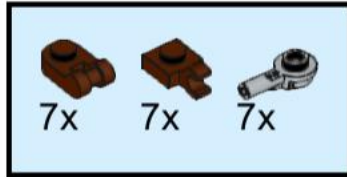
Insure there is pressure applied otherwise sagging will occur



# 10

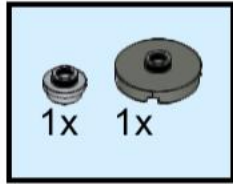


# 11

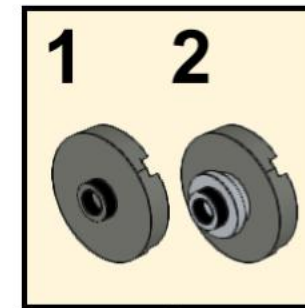
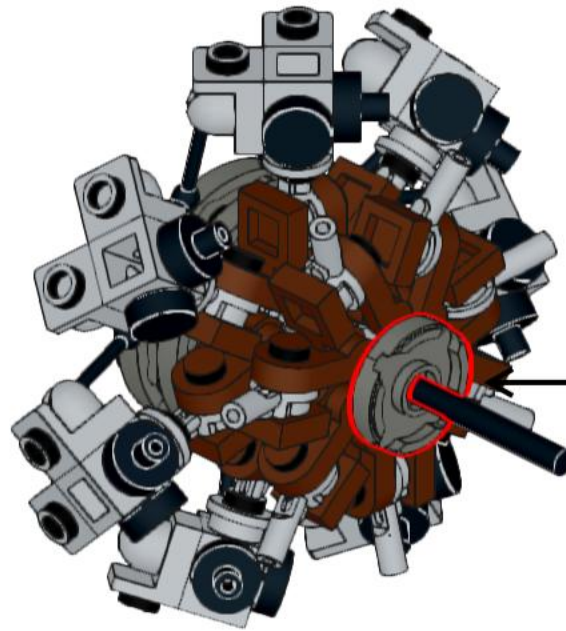




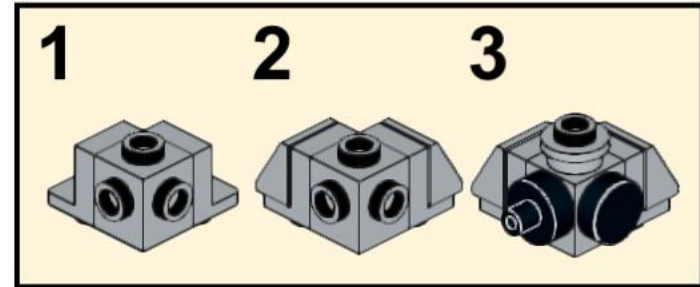
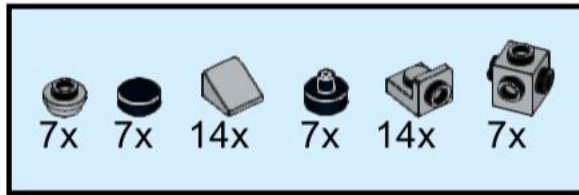
# 12



Insure there is pressure applied otherwise sagging will occur



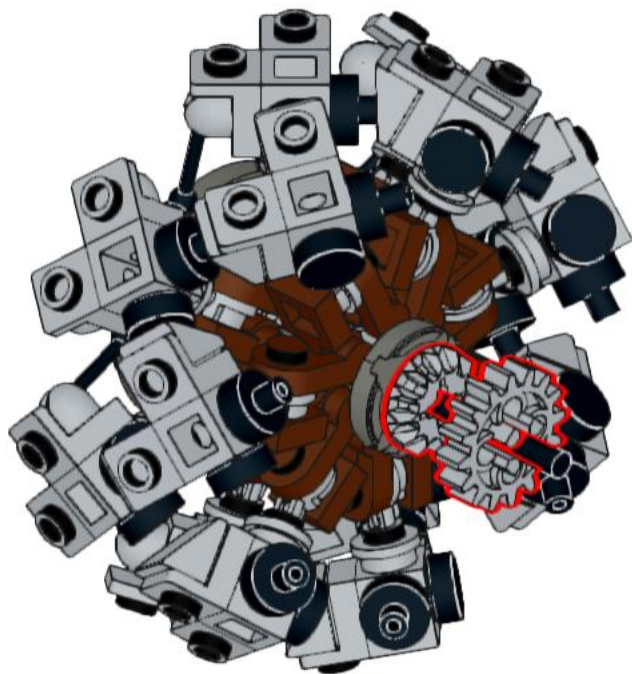
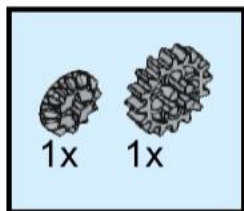
# 13



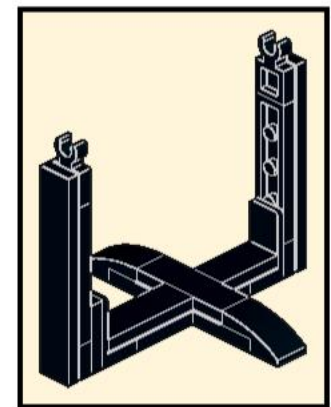
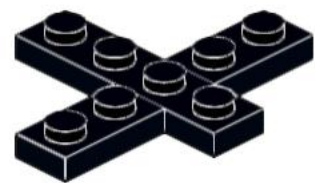
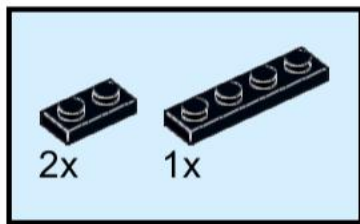
7x



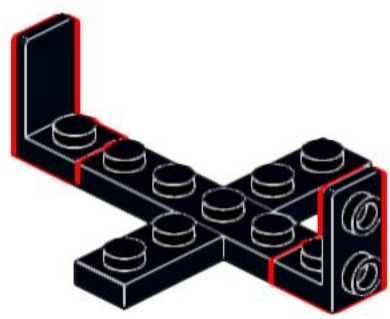
# 14



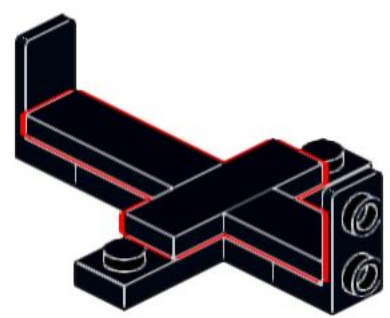
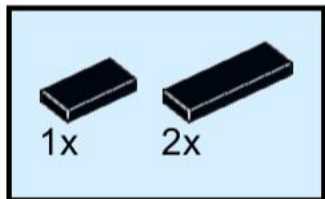
# 15



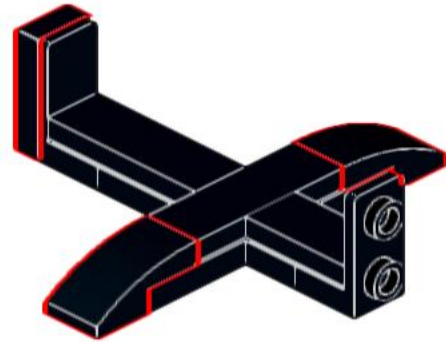
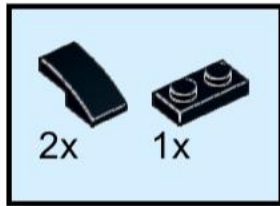
# 16



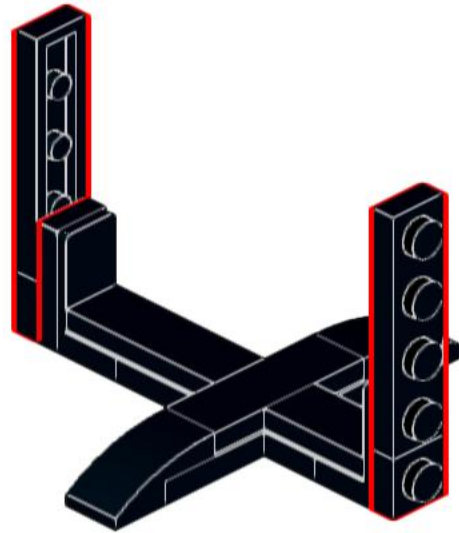
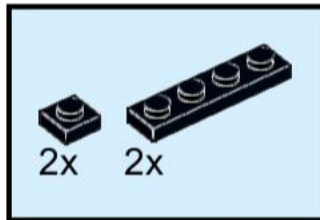
# 17



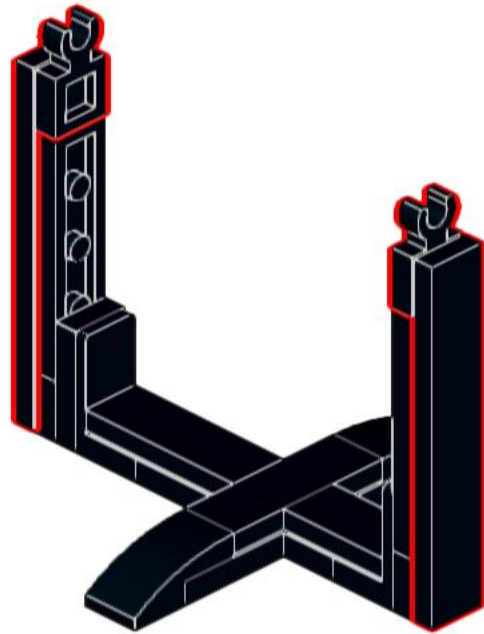
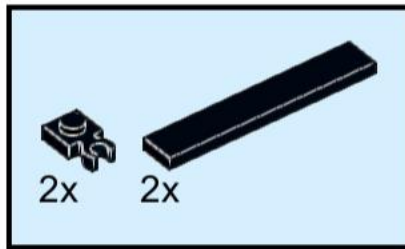
# 18



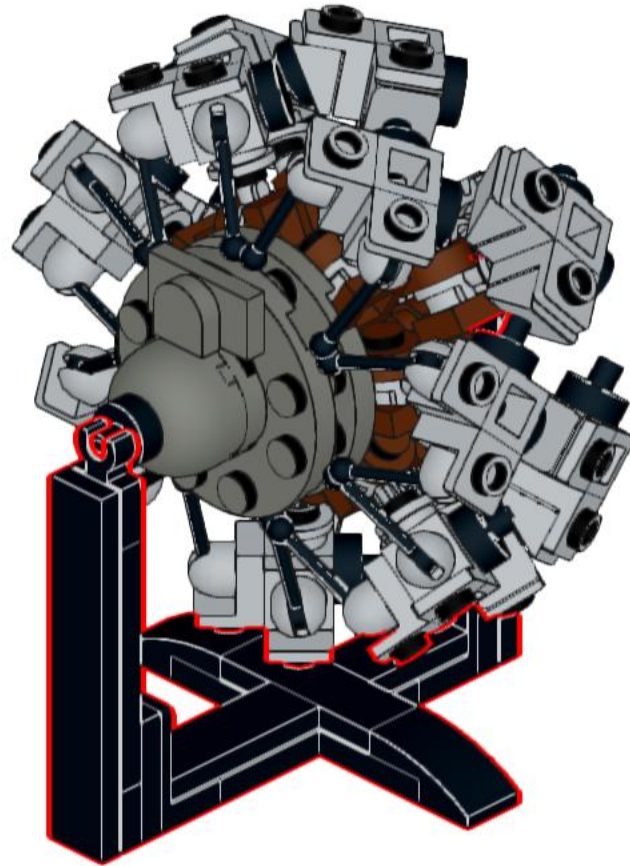
# 19



# 20



21



14x  
98138  
Black



2x  
11477  
Black



2x  
3024  
Black



2x  
73825  
Black



15x  
20482  
Black



2x  
63864  
Black



2x  
4085d  
Black



3x  
3710  
Black



1x  
3069b  
Black



3x  
3023  
Black



1x  
63965  
Black



2x  
6636  
Black



1x  
24246  
Dark Bluish Gray



1x  
15573  
Dark Bluish Gray



2x  
4032  
Dark Bluish Gray



2x  
18674  
Dark Bluish Gray



1x  
553b  
Dark Bluish Gray



2x  
60474  
Dark Bluish Gray



18x  
85861  
Light Bluish Gray



14x  
54200  
Light Bluish Gray



28x  
36840  
Light Bluish Gray



14x  
32828  
Light Bluish Gray



1x  
6589  
Light Bluish Gray



14x  
4733  
Light Bluish Gray



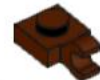
14x  
4592c02  
Light Bluish Gray



1x  
4019  
Light Bluish Gray



14x  
26047  
Reddish Brown



14x  
61252  
Reddish Brown



Use Bricklink or your own collection of parts to build this model

ANY Problems with these instructions,  
Contact straight away for a re-issue, or  
replacement

